

**Serie | 8, built-in oven, 60 x 60 cm,
Stainless steel
HBG6764S6M**



Included accessories

2 x combination grid
1 x universal pan

**The built-in oven with top-/bottom heat:
achieve perfect results on one level thanks
to optimal distribution of heat.**

- **4D Hot Air:** even heat distribution for perfect results – on any level.
- **DishAssist:** automatic setting of the optimal type of heat, temperature and time for countless dishes.
- **TFT touchscreen control:** easy-to-use thanks to the control ring with full text and images.
- **Flap door with SoftOpen and SoftClose:** the oven door opens and closes especially gently and quietly.
- Your appliance listens to you.

Technical Data

Color / Material Front : Stainless steel
 Built-in / Free-standing : Built-in
 Integrated Cleaning system : Pyrolytic+Hydrolytic
 Required niche size for installation (HxWxD) : 585-595 x 560-568 x 550 mm
 Dimensions : 595 x 594 x 548 mm
 Dimensions of the packed product (HxWxD) : 670 x 680 x 670 mm
 Control Panel Material : Stainless steel
 Door Material : Glass
 Net weight : 39.1 kg
 Usable volume of cavity : 71 l
 Cooking method : 4D hot air, Bottom heat, Conventional heat, Defrost, Full width grill, Half width grill, Hot Air-Eco, Hot air grilling, low temperature cooking, Pizza setting, pre-heating, warming
 Number of interior lights : 1
 Approval certificates : CE, VDE
 Length electrical supply cord : 120 cm
 Interior Lights - cavity 1 : 1
 Pull-out system : 1-level
 Clock function : Alarm, Off, On
 Included accessories : 2 x combination grid, 1 x universal pan
 Broil Element Wattages cavity 1 : 2800 W
 Convection Element Wattages cavity 1 : 2200 W
 Energy efficiency rating : A+
 Energy consumption per cycle conventional (2010/30/EC) : 0.87 kWh/cycle
 Energy consumption per cycle forced air convection (2010/30/EC) : 0.69 kWh/cycle
 Energy efficiency index (2010/30/EC) : 81.2 %
 Connection Rating : 3600 W
 Fuse protection : 16 A
 Voltage : 220-240 V
 Frequency : 50; 60 Hz
 Plug type : no plug
 Color / Material Front : Stainless steel
 Energy input : Electric
 Approval certificates : CE, VDE
 Required cutout/niche size for installation (in) : x x
 Dimensions of the packed product : 26.37 x 26.37 x 26.77
 Net weight : 86.000 lbs
 Gross weight : 91.000 lbs
 Length electrical supply cord : 120 cm
 Net weight : 39.1 kg
 Gross weight : 41.4 kg



Serie | 8, built-in oven, 60 x 60 cm, Stainless steel HBG6764S6M

The built-in oven with top-/bottom heat: achieve perfect results on one level thanks to optimal distribution of heat.

Type of oven / heating system:

- Oven with 13 heating methods: 4D hot air, Hot Air-Eco, Top/bottom heat, Conventional heat ECO, hot air grilling, Full width grill, Half width grill, Pizza setting, Bottom heat, low temperature cooking, Defrost setting, Plate warming setting, Hold warm
- Temperature range 30 °C - 300 °C
- Cavity volume: 71 l

Design:

- Rotary swivel

Cleaning:

- Pyrolytic self-cleaning
- Full glass inner door

Comfort:

- IC6_CBO_62
- Electronic clock
- soft opening
- baking sensor
multipoint temperature probe
- Rapid heating-up
- Halogen interior lighting, Switch for oven illumination
- Integral cooling fan
- Bar handle
- WLAN

Accessory:

- 2 x combination grid, 1 x universal pan

Environment and Safety:

- very low door temperature
- door lock electronic
Child lock
Safety switch
Residual heat indicator
start button
door contact switch

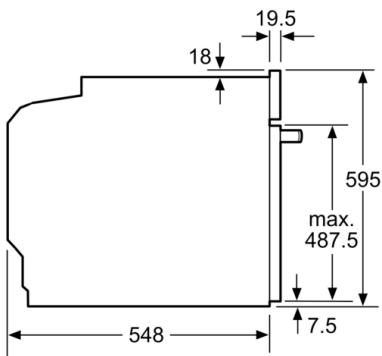
Technical Info:

- Length of mains cable: 120 cm
- Nominal voltage: 220 - 240 V
- Total connected load electric: 3.6 KW
- Energy efficiency rating (acc. EU Nr. 65/2014): A+
Energy consumption per cycle in conventional mode: 0.87 kWh
Energy consumption per cycle in fan-forced convection mode: 0.69 kWh
Number of cavities: 1
Heat source: electrical
Cavity volume: 71 l

Dimensions:

- Appliance dimension (hxwx): 595 mm x 594 mm x 548 mm
- Niche dimension (hxwx): 585 mm - 595 mm x 560 mm - 568 mm x 550 mm
- "Please reference the built-in dimensions provided in the installation drawing"

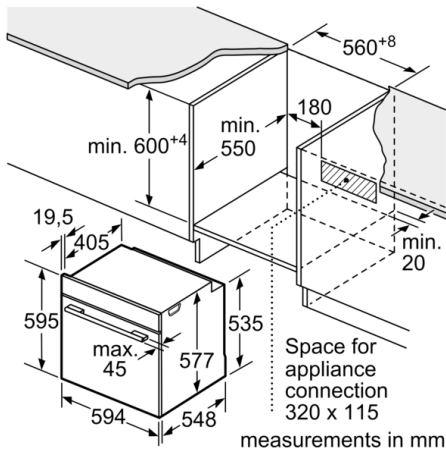
Serie | 8, built-in oven, 60 x 60 cm, Stainless steel
HBG6764S6M



measurements in mm

If the appliance will be installed underneath a hob, the following worktop thicknesses (including substructure if necessary) must be taken into account.

Hob type	min. worktop thickness	
	fitted	flush
Induction hob	37 mm	38 mm
Full surface Induction hob	47 mm	48 mm
Gas hob	30 mm	38 mm
Electric hob	27 mm	30 mm



measurements in mm