

**Serie | 2, Built-in oven, 60 x 60 cm,
Stainless steel
HBF011BR1M**



Included accessories

1 x combination grid
1 x universal pan

Optional accessories

HEZ317000 : Pizza pan, grey enamelled
HEZ327000 : Pizza stone
HEZ333001 : Lid for professional pan
HEZ425001 : Grill tray
HEZ431002 : Baking tray, grey enamelled
HEZ438201 : 2 level telescopic shelf rails
HEZ438301 : 3 level telescopic shelf rails
HEZ625071 : Grill tray, anthracite enamelled
HEZ915003 : Glass roasting dish, 5,4 L

The built-in oven with 3D hotair: achieve perfect baking and roasting results on up to three levels simultaneously.

- **3D Hotair:** even heat distribution for perfect results on up to three levels.
- **3D Hotair:** even heat distribution for perfect results on up to three levels.

Technical Data

Gross weight : 32.1 kg
Color / Material Front : Stainless steel
Built-in / Free-standing : Built-in
Integrated Cleaning system : No
Required niche size for installation (HxWxD) : 575-597 x 560-568 x 550 mm
Dimensions : 595 x 594 x 548 mm
Dimensions of the packed product (HxWxD) : 665 x 680 x 660 mm
Control Panel Material : Stainless steel
Door Material : Glass
Net weight : 29.9 kg
Usable volume of cavity : 66 l
Heating modes: : Defrost setting, Full width variable grill, Hot Air, Hot air grilling, Top/bottom heat
First cavity material : Other
Number of interior lights : 1
Approval certificates : CE
Length electrical supply cord : 146 cm
Interior Lights - cavity 1 : 1
Included accessories : 1 x combination grid, 1 x universal pan
Broil Element Wattages cavity 1 : 2800 W
Energy efficiency class (2010/30/EC) : A
Energy consumption per cycle conventional (2010/30/EC) : 0.98 kWh/cycle
Energy consumption per cycle forced air convection (2010/30/EC) : 0.82 kWh/cycle
Energy efficiency index (2010/30/EC) : 98.8 %
Connection Rating : 3300 W
Fuse protection : 16 A
Voltage : 220-240 V
Frequency : 50; 60 Hz
Plug type : no plug (electrical connection by electrician)
Color / Material Front : Stainless steel
Energy input : Electric
Approval certificates : CE
Required cutout/niche size for installation (in) : x x
Dimensions of the packed product : 26.18 x 25.98 x 26.77
Net weight : 66.000 lbs
Gross weight : 71.000 lbs
Length electrical supply cord : 146 cm
Net weight : 29.9 kg



Serie | 2, Built-in oven, 60 x 60 cm, Stainless steel HBF011BR1M

The built-in oven with 3D hotair: achieve perfect baking and roasting results on up to three levels simultaneously.

Type of oven / heating system:

- Temperature range 50 °C - 275 °C
- Cavity volume: 66 l

Hook-in racks / rails

- Number of shelf levels: 4 PC

Design:

- Rotary Control
- Cavity inner surface: enamel brown

Cleaning:

Comfort:

- Mechanical timer
- Bar handle
- Fast preheat
- Halogen interior lighting
- Integral cooling fan

Accessory:

- combination grid, universal pan

Environment and Safety:

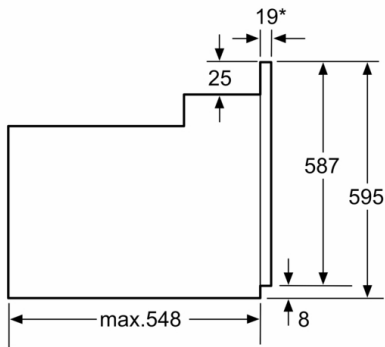
Technical Information

- Length of mains cable: 146 cm
- Nominal voltage: 220 - 240 V
- Total connected load electric: 3.3 KW
- Energy efficiency rating (acc. EU Nr. 65/2014): A(at a range of energy efficiency classes from A+++ to D)
Energy consumption per cycle in conventional mode:0.98 kWh
Energy consumption per cycle in fan-forced convection mode:0.82 kWh
Number of cavities: 1 Heat source: electrical Cavity volume:66 l

Dimensions:

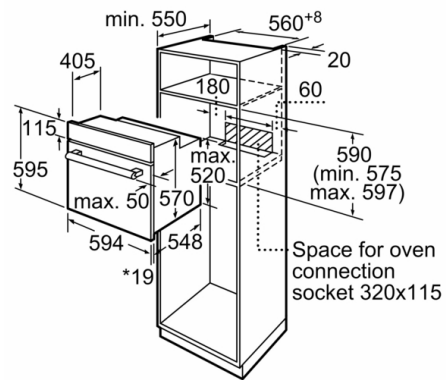
- Appliance dimension (hxwxh): 595 mm x 594 mm x 548 mm
- Niche dimension (hxwxh): 575 mm - 597 mm x 560 mm - 568 mm x 550 mm
- "Please reference the built-in dimensions provided in the installation drawing"

Serie | 2, Built-in oven, 60 x 60 cm, Stainless steel
HBF011BR1M



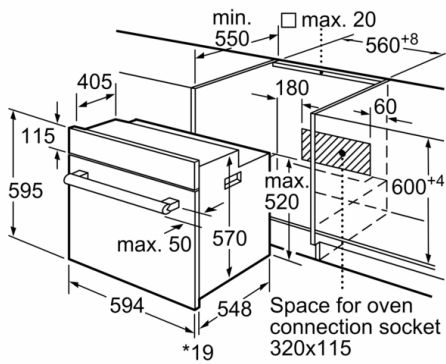
* 20 mm for metal fascias

Dimensions in mm



* 20 mm for metal fascias

measurements in mm



* 20 mm for metal fascias

measurements in mm