

**Serie | 8, fully-integrated dishwasher,
60 cm
SMV8ZDX48M**



PerfectDry dishwashers provide best drying results with extra space for all your difficult to place items in an energy efficient way.

- **AquaStop:** 100% lifetime warranty for water damages guaranteed.
- **Child lock on door:** prevents undesigned door opening during rinsing.
- **10-year guarantee:** our convincing promise of quality against rusting of the inner tub.
- Water softener ensures optimally spot-free and shiny dishes.
- **PerfectDry based on Zeolith technology:** perfect drying results with less energy usage even on difficult to dry dishes.

Technical Data

Cleaning performance : A
 Water consumption : 10.4 l
 Total annual energy consumption 220 days : 148 kWh
 Total annual water consumption 220 days : 2288 l
 Built-in / Free-standing : Built-in
 Removable top : No
 Door panel options : Not possible
 Height with worktop : 0 mm
 Height of the product : 815 mm
 Adjustable feet : Yes - all from front
 Maximum adjustability feet : 60 mm
 Net weight : 47.2 kg
 Gross weight : 49.5 kg
 Connection Rating : 2400 W
 Fuse protection : 10 A
 Voltage : 220-240 V
 Frequency : 50; 60 Hz
 Length electrical supply cord : 175 cm
 Plug type : GB plug
 Length inlet hose : 165 cm
 Length outlet hose : 190 cm
 Hidden heating element : Yes
 Water protection system description : Triple water protection 24h
 Child safety devices : Childlock appliance
 Water softener : Yes
 Top basket type : R4
 Adjustable upper basket : Rackmatic 2-stage
 Bottom basket type : R4
 3rd Rack : 3. Rack 2.0
 Cutlery Basket : Standard
 Optional accessories : SGZ1010, SGZ8BI00, SMZ2056, SMZ5003, SMZ5005, SMZ5035, SMZ5300
 Included accessories 2 : vapor barrier plate
 Number of place settings : 13
 Color / Material panel : Black
 Dimensions of the product (HxWxD) : 815 x 598 x 550 mm
 Dimensions of the packed product (HxWxD) : 880 x 670 x 660 mm



Serie | 8, fully-integrated dishwasher, 60 cm SMV8ZDX48M

PerfectDry dishwashers provide best drying results with extra space for all your difficult to place items in an energy efficient way.

- SMV8ZDX48M
- 60 cm dishwasher
- Fully integrated

General Specification

- Connectivity: Wi-Fi ¹
- Energy consumption in programme Eco 50: 0.675 kWh
- Consumption in programme Eco 50: 2912 litres water per year / 189 kWh energy per year. Based on 280 standard cleaning cycles using cold water fill and the consumption of the low power modes.
- Capacity: 13 place settings
- Programme time in programme Eco 50: 235 min
- Noise level (silence programme): 40 dB(A) re 1 pW

Programmes

- Pre-Rinse
- 6 special options: Remote Start, Extra Dry, Half Load, BabyBottle+, SpeedPerfect+, Machine Care
- Machine Care
- Silence on Demand (via app)

Features

- Zeolite Drying
- Heat exchanger.
- DosageAssist
- BLDC motor for heat and drain pump
- Detergent Automation
- Self-cleaning filter system with 3-fold corrugated filter
- Stainless steel

Baskets & Racks

- Ball bearing on top basket
- Low friction wheels on bottom basket
- Rack Stopper to prevent derailing of bottom basket
- 6 foldable plate racks in top basket
- 8 foldable plate racks in bottom basket
- Variable cutlery basket in bottom basket
- Stemware support

Safety

- Home Connect enabled via WLAN
- black
- English
- Electronic delay timer: 1-24 hours

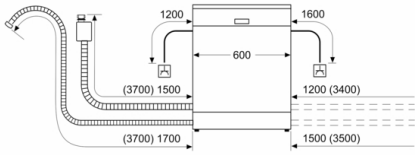
Technical Information

- AquaStop - Prevent Water Leakage
- Dimensions of the product (HxWxD): 81.5 x 59.8 x 55 cm
- Product dimensions -gross- (HxWxD): 88 x 66 x 67 cm
- Gross Weight: 49.5 kg

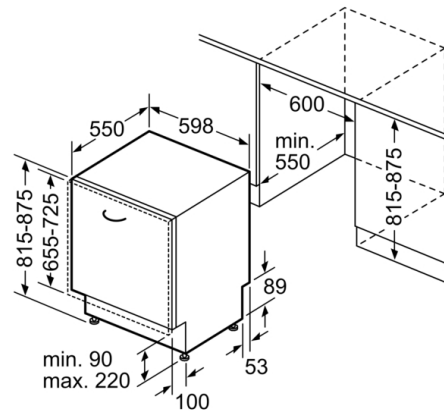
1 The availability of the Home Connect functionality depends on the availability of the Home Connect Services in your country. Home Connect Services are not available in every country – for further information; please check: www.home-connect.com

Serie | 8, fully-integrated dishwasher, 60 cm SMV8ZDX48M

measurements in mm



⌚ socket
() values with extension kit



measurements in mm