

**Serie | 8, Gas range cooker, Stainless steel
HIZ5G7W50M**



Included accessories

2 x rotary spit
1 x nozzle set for natural gas
1 x cross support for espresso
2 x grid
1 x universal pan

The gas Range Cooker with gas hob: enjoy the benefits of gas when cooking and baking.

- **The stainless-steel gas cooktop:** its high quality and premium design lets you enjoy cooking longer.
- Low profile stainless steel cooking surface is easily accessible and quick to clean.
- High-quality materials and workmanship – continuous cast-iron pan supports.
- **High output burner:** cooking at up to 4 kW.
- XXL Cavity delivers you 147 litres of maximum space to bake and roast meals in bigger portions for your family and guests.

Technical Data

Built-in / Free-standing : Free-standing

Dimensions : 914-959 x 894 x 607 mm

Length electrical supply cord : 120 cm

Net weight : 78.8 kg

Gross weight : 84.8 kg

Cooking method : Circulated gas bottom heat, defrost, Gas bottom & hot air & ring, Gas bottom heating, Gas grill/broiler, Gas top/bottom heat, rotisserie

Integrated Cleaning system : No

Included accessories : 2 x rotary spit, 1 x nozzle set for natural gas, 1 x cross support for espresso, 2 x grid, 1 x universal pan
Broil Element Wattages cavity 1 : 3100 W

Connection Rating : 47 W

Voltage : 220-240 V

Frequency : 50; 60 Hz

Plug type : GB plug

Energy input : Gas

Gas type : LPG G30 30 mbar

Approval certificates : G-Mark

Appliance Dimensions (h x w x d) (in) : x x

Gross weight : 187.000 lbs

Length electrical supply cord : 120 cm

Dimensions : 914-959 x 894 x 607 mm

Dimensions of the packed product (HxWxD) : 870 x 710 x 980 mm



4 242005 212194

Serie | 8, Gas range cooker, Stainless steel HIZ5G7W50M

The gas Range Cooker with gas hob: enjoy the benefits of gas when cooking and baking.

Cooktop:

- Gas hob
- 1 rapid, 2 standard, 1 economy, 1 wok burner
- Front left: Rapid burner 3 KW
- Rear left: Standard burner 1.75 KW
- Center: WOK burner 4.2 KW
- Rear right: Standard burner 1.75 KW
- Front right: Economy burner 1 KW
- One-hand ignition via control knob
- Full flame safety
- Cast iron pan supports

Type of oven / heating system:

- Gas oven
- 7 cooking functions: Gas bottom heat, Defrost setting, Gas top/bottom heat, Gas grill, rotisserie

Design:

- Extra large net capacity oven (125 l)

Cleaning:

- Full glass inner door
- Catalytic cleaning: Fan

Comfort:

- Halogen interior lighting
- Minute minder

Accessory:

- 1 x cross support for espresso, 2 x grid, 1 x nozzle set for natural gas, 2 x rotary spit, 1 x universal pan

Technical Info:

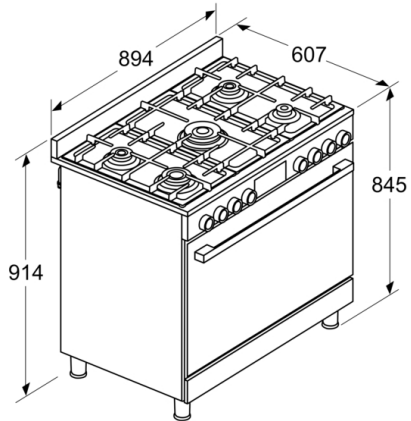
- Natural gas nozzles (20 mbar) included

Dimensions:

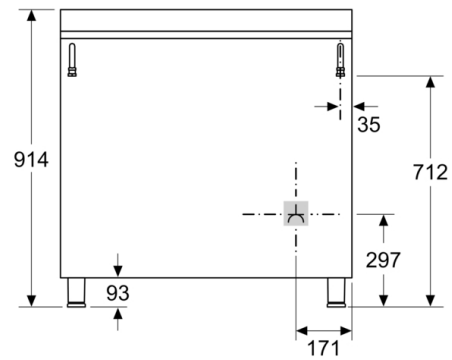
- Appliance dimension (hxwx): 914 mm x 894 mm x 607 mm
- Adjustable feet

**Serie | 8, Gas range cooker, Stainless steel
HIZ5G7W50M**

measurements in mm



measurements in mm



⚡ Socket