

**Serie | 4, Gas range cooker, Stainless steel
HGVD A0Q50M**



Included accessories

- 1 x rotary spit
- 1 x nozzle set for natural gas
- 1 x cross support for espresso
- 1 x grid
- 1 x universal pan

The gas Range Cooker with gas hob: enjoy the benefits of gas when cooking and baking.

- **The stainless-steel gas cooktop:** its high quality and premium design lets you enjoy cooking longer.
- Low profile stainless steel cooking surface is easily accessible and quick to clean.
- Continuous grate design to easily move heavy pots and pans.
- **High output burner:** cooking at up to 4 kW.
- XXL Cavity delivers you 147 litres of maximum space to bake and roast meals in bigger portions for your family and guests.

Technical Data

Built-in / Free-standing :	Free-standing
Dimensions :	884 x 899 x 607
Length electrical supply cord (cm) :	180
Net weight (kg) :	76.972
Gross weight (kg) :	82.6
Cooking method :	
Circulated gas bottom heat, defrost, Gas bottom heating, Gas grill/broiler, Gas top/bottom heat, rotisserie	
Integrated Cleaning system :	No
Included accessories :	1 x rotary spit, 1 x nozzle set for natural gas, 1 x cross support for espresso, 1 x grid, 1 x universal pan
Broil Element Wattages cavity 1 (W) :	3100
Connection Rating (W) :	80
Current (A) :	16
Voltage (V) :	220-240
Frequency (Hz) :	50; 60
Plug type :	GB plug
Energy input :	Gas
Gas type :	LPG G30 30 mbar
Appliance Dimensions (h x w x d) (in) :	x 899 MM x
Gross weight (lbs) :	182.000
Length electrical supply cord (cm) :	180
Dimensions :	884 x 899 x 607
Dimensions of the packed product (HxWxD) (mm) :	876 x 702 x 980



Serie | 4, Gas range cooker, Stainless steel HGVDA0Q50M

The gas Range Cooker with gas hob: enjoy the benefits of gas when cooking and baking.

Cooktop:

- Gas hob
- 1 rapid, 2 standard, 1 economy, 1 wok burner
- Front left: Rapid burner 3 KW
- Rear left: Standard burner 1.75 KW
- Center: WOK burner 4 KW
- Rear right: Standard burner 1.75 KW
- Front right: Economy burner 1 KW
- One-hand ignition via control knob
- Full flame safety
- Cast iron pan supports
- glass cover lid

Type of oven / heating system:

- Gas oven
- 6 cooking functions: Gas bottom heat, Defrost setting, Gas top/bottom heat, Gas grill, rotisserie
- Rotary spit

Design:

- Extra large net capacity oven (125 l)

Cleaning:

- Full glass inner door

Comfort:

- Halogen interior lighting
- Minute minder

Accessory:

- 1 x rotary spit, 1 x nozzle set for natural gas, 1 x cross support for espresso, 1 x grid, 1 x universal pan

Technical Info:

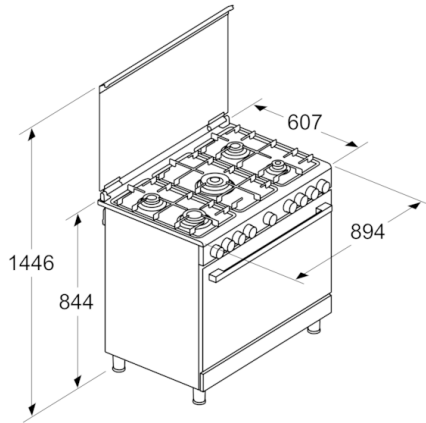
- Natural gas nozzles (20 mbar) included

Dimensions:

- Appliance dimension (hxwx): 884 mm x 899 mm x 607 mm
- Adjustable feet

**Serie | 4, Gas range cooker, Stainless steel
HGVDA0Q50M**

measurements in mm



measurements in mm

