

**Serie | 2, Gas range cooker, Width 90 cm
HGV1D0V50M**



The gas Range Cooker with gas hob: enjoy the benefits of gas when cooking and baking.

- HotAir circulates the heat in your cooker evenly for perfect cooking results.
- Closed Door Grilling retains heat and odors within the cooker and reduces your cooking time.
- Full Glass Door supports quick and easy cleaning by removable inner glass of the door.
- Full Safety automatically cuts off the supply of gas to your burner and oven at the same time, if the flame is extinguished for any reason.
- Low profile stainless steel cooking surface is easily accessible and quick to clean.

Technical Data

Built-in / Free-standing :	Free-standing
Dimensions :	884 x 899 x 607
Length electrical supply cord (cm) :	120
Net weight (kg) :	74.272
Gross weight (kg) :	79.9
Cooking method :	defrost, Gas bottom heating, Gas grill/broiler, Gas top/bottom heat
Integrated Cleaning system :	No
Storage compartment - cavity 1 :	Yes
Broil Element Wattages cavity 1 (W) :	3100
Connection Rating (W) :	47
Current (A) :	16
Voltage (V) :	220-240
Frequency (Hz) :	50; 60
Plug type :	GB plug
Energy input :	Gas
Gas type :	LPG G30 30 mbar
Approval certificates :	CE
Appliance Dimensions (h x w x d) (in) :	x 899 MM x
Gross weight (lbs) :	176.000
Length electrical supply cord (cm) :	120
Dimensions :	884 x 899 x 607
Dimensions of the packed product (HxWxD) (mm) :	880 x 700 x 970



Serie | 2, Gas range cooker, Width 90 cm HGV1D0V50M

The gas Range Cooker with gas hob: enjoy the benefits of gas when cooking and baking.

Cooktop:

- Gas hob
- 1 rapid, 2 standard, 1 economy, 1 wok burner
- Front left: Rapid burner 3 KW
- Rear left: Standard burner 1.75 KW
- Center: WOK burner 3.6 KW
- Rear right: Standard burner 1.75 KW
- Front right: Economy burner 1 KW
- One-hand ignition via control knob
- Full flame safety
- Cast iron pan supports
- glass cover lid

Type of oven / heating system:

- Gas oven
- 5 cooking functions: Gas bottom heat, Defrost setting, Gas top/bottom heat, Gas grill

Design:

- Extra large capacity oven (125 l)

Cleaning:

- Full glass inner door

Comfort:

- Halogen interior lighting
- Minute minder

Accessory:

- 1 x enamel baking tray, 1 x grid, 1 x nozzle set for natural gas

Technical Info:

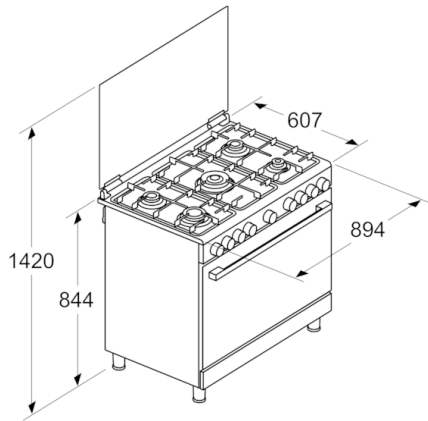
- Natural gas nozzles (20 mbar) included

Dimensions:

- Appliance dimension (hwxwd): 884 mm x 899 mm x 607 mm
- Adjustable feet

**Serie | 2, Gas range cooker, Width 90 cm
HGV1D0V50M**

measurements in mm



measurements in mm

