

**Serie | 6, Gas range cooker, Width 90 cm  
HGW3ASQ50M**



**The gas Range Cooker with gas hob: enjoy the benefits of gas when cooking and baking.**

- XXL Cavity delivers you 147 litres of maximum space to bake and roast meals in bigger portions for your family and guests.
- HotAir circulates the heat in your cooker evenly for perfect cooking results.
- Full Glass Door supports quick and easy cleaning by removable inner glass of the door.
- Closed Door Grilling retains heat and odors within the cooker and reduces your cooking time.
- Rotisserie delivers the best homemade rotisserie chicken with the perfect brown look.

**Technical Data**

Built-in / Free-standing :	Free-standing
Dimensions :	884 x 899 x 607
Length electrical supply cord (cm) :	120
Net weight (kg) :	76.745
Gross weight (kg) :	82.4
Cooking method :	defrost, Gas bottom heating, Gas grill/broiler, Gas top/bottom heat, rotisserie
Integrated Cleaning system :	Catalytic partial
Storage compartment - cavity 1 :	Yes
Type of pan support :	Elongated cast iron pan support
Broil Element Wattages cavity 1 (W) :	3100
Connection Rating (W) :	47
Current (A) :	16
Voltage (V) :	220-240
Frequency (Hz) :	50; 60
Plug type :	GB plug
Energy input :	Gas
Gas type :	LPG G30 30 mbar
Approval certificates :	CE
Appliance Dimensions (h x w x d) (in) :	x 899 MM x
Gross weight (lbs) :	182.000
Length electrical supply cord (cm) :	120
Dimensions :	884 x 899 x 607
Dimensions of the packed product (HxWxD) (mm) :	880 x 705 x 980



## Serie | 6, Gas range cooker, Width 90 cm HGW3ASQ50M

**The gas Range Cooker with gas hob: enjoy the benefits of gas when cooking and baking.**

---

### **Cooktop:**

- Gas hob
- 1 rapid, 2 standard, 1 economy, 1 wok burner
- Front left: Rapid burner 3 KW
- Rear left: Standard burner 1.75 KW
- Center: WOK burner 3.6 KW
- Rear right: Standard burner 1.75 KW
- Front right: Economy burner 1 KW
- One-hand ignition via control knob
- Full flame safety
- Cast iron pan supports
- glass cover lid

### **Type of oven / heating system:**

- Gas oven
- 5 cooking functions: Gas bottom heat, Defrost setting, Gas top/bottom heat, Gas grill, rotisserie
- Rotary spit

### **Design:**

- Extra large capacity oven (125 l)

### **Cleaning:**

- Full glass inner door
- Catalytic cleaning: Rear wall

### **Comfort:**

- Halogen interior lighting

### **Accessory:**

- 1 x rotary spit, 1 x nozzle set for natural gas, 1 x cross support for espresso, 1 x grid, 1 x universal pan

### **Technical Info:**

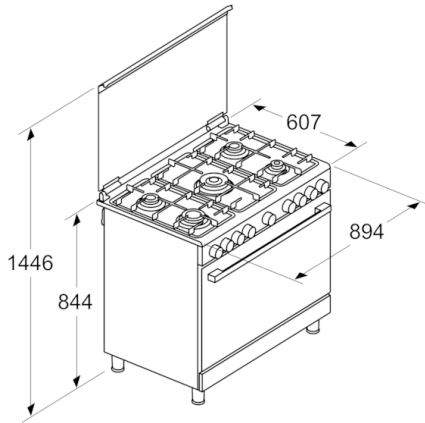
- Natural gas nozzles (20 mbar) included

### **Dimensions:**

- Appliance dimension (hxwx): 884 mm x 899 mm x 607 mm
- Adjustable feet

**Serie | 6, Gas range cooker, Width 90 cm  
HGW3ASQ50M**

measurements in mm



measurements in mm

