

**Serie | 8, downdraft hood, 90 cm,  
clear glass black printed  
DDD97BM60B**



**The downdraft module provides you with  
an open view into the kitchen and onto  
the hob with high extraction rate and also  
unnoticeably**

- **Silent:** maximal extractor performance with little noise
- Flexible installation of the blower allows a maximum space inside the cabinet.
- **LED-Illumination:** The energy-saving lighting provides white and good lighting for the hob area.
- **Intensive speed setting:** removes strong kitchen odours especially quickly and effectively.
- With exhaust, the air is cleaned by a grease filter and then ducted to the outside which ensures optimal kitchen air quality.

**Technical Data**

Approval certificates :	CE
Length electrical supply cord (cm) :	150
Required niche size for installation (HxWxD) :	738mm x 844.0mm x 104mm
Net weight (kg) :	35.295
Type of control :	Electronic
Number of speed settings :	3-stage + 2 intensive
Maximum output air extraction (m <sup>3</sup> /h) :	530
Boost position output recirculating (m <sup>3</sup> /h) :	500.0
Maximum output recirculating air (m <sup>3</sup> /h) :	452
Boost position air extraction (m <sup>3</sup> /h) :	750
Number of lights :	1
Noise level (dB) :	62
Diameter of air outlet (mm) :	150
Grease filter material :	Washable aluminium
Odour filter :	No
Operating Mode :	Convertible
Delay Shut off modes :	10
Optional accessories :	DSZ9ID0M0, DSZ9ID0P0, DSZ9ID0Q0
Grease filter type :	Kassette
Connection Rating (W) :	317
Current (A) :	10
Voltage (V) :	220-240
Frequency (Hz) :	50
Plug type :	GB plug
Installation typology :	Built-in
Material body :	Glass, Stainless steel
Approval certificates :	CE
Plug type :	GB plug
Dimensions of the product, with chimney (if exists) (in) :	/ x x
Dimensions of the packed product (in) :	16.92 x 38.11 x 39.56
Net weight (lbs) :	78.000
Gross weight (lbs) :	113.000
Motor location :	Integrated motor in hood body
No-return airflow flap :	No
Length electrical supply cord (cm) :	150
Dimensions of the product, with chimney (if exists) (mm) :	x 918.0 x 268.0
Dimensions of the packed product (HxWxD) (mm) :	430 x 968 x 1005
Net weight (kg) :	35.295
Gross weight (kg) :	51.1



4 242005 074198

## Serie | 8, downdraft hood, 90 cm, clear glass black printed DDD97BM60B

**The downdraft module provides you with  
an open view into the kitchen and onto  
the hob with high extraction rate and also  
unnoticeably**

### Variant:

- Downdraft for a regular or flush installation in worktops.

### Design:

- 918 mm width
- black with glass canopy
- Appliance colour: black

### Comfort:

- Suitable for ducted or re-circulated extraction
- In recirculation mode no combination with gas cooktops allowed.
- TouchControl for extractor speeds and light
- Electronic
- Extension height 300 mm
- Recirculating kit
- 5/10 min
- 10 min.
- Capacitor motor
- Rim extraction
- Metal grease filter, dishwasher safe
- grease- and charcoal filter

### Technical information:

- Extraction rate according to DIN/EN 61591 ø 15 cm: max. Normal 530 m<sup>3</sup>/h Intensive 750 m<sup>3</sup>/h
- Noise level according to EN 60704-3 und EN 60704-2-13 exhaust air: Max. normal use: 62 dB(A) re 1 pW (48 dB(A) re 20 µPa sound pressure) Intensive: 62 dB(A) re 1 pW (53 dB(A) re 20 µPa sound pressure)
- Extraction rate in recirculation mode: Max. normal use: 452 m<sup>3</sup>/h Intensive: 500 m<sup>3</sup>/h
- Noise levels in recirculation mode: Max. normal use: 72 dB(A) re 1 pW (58 dB(A) re 20 µPa sound pressure) Intensive: 75 dB(A) re 1 pW (61 dB(A) re 20 µPa sound pressure)
- Noise min./max. Normal Level: 43/62 dB\*
- Power rating: 317 W

### Measures:

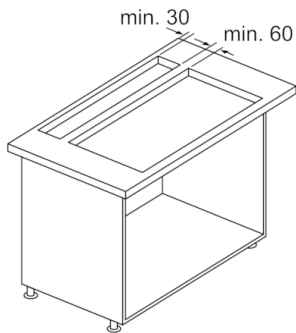
- Diameter pipe Ø 150 mm (Ø 150 mm enclosed)
- Dimensions exhaust air (HxWxD): 738-1038 x 918 x 268 mm
- Dimensions recirculating (HxWxD): 738-1038 x 918 x 268 mm
- Light Intensity: 203 lux
- Colour Temperature: 3500 K

### Environment and safety:

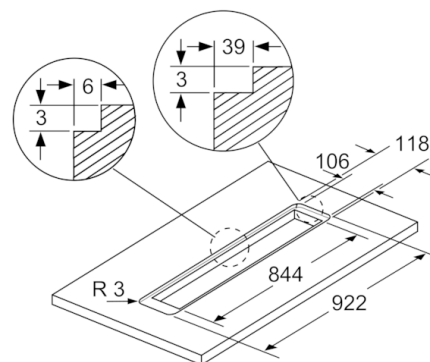
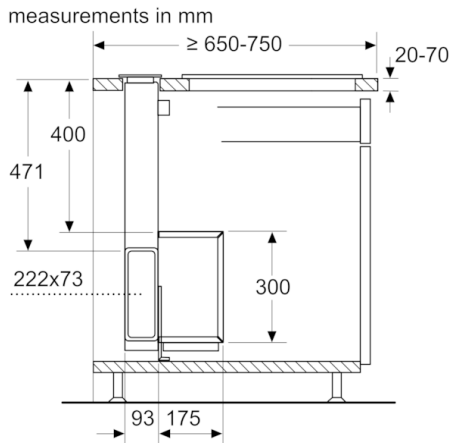
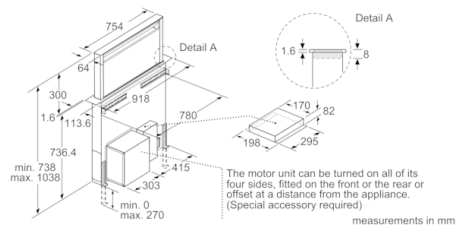
- Energy Efficiency Class: A\*
  - Average Energy Consumption: 54.2 kWh/year\*
  - Blower Efficiency Class: A\*
  - Lighting Efficiency Class: A\*
  - Grease Filtering Efficiency Class: D\*
- \* In accordance with the EU-Regulation No 65/2014*

**Serie | 8, downdraft hood, 90 cm, clear glass  
black printed  
DDD97BM60B**

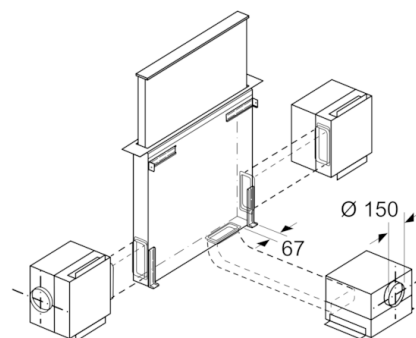
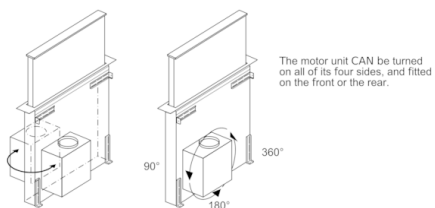
Combination with electric hob



For use with gas hob see drawing  
"Combination with gas hob".  
measurements in mm



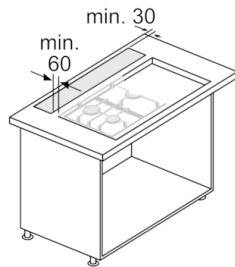
For flush installation in stone and granite  
work surfaces  
measurements in mm



The motor unit can be fitted at  
a maximum distance of three metres  
from the appliance.  
(Special accessory required)

**Serie | 8, downdraft hood, 90 cm, clear glass  
black printed  
DDD97BM60B**

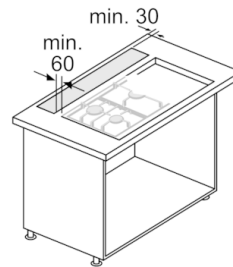
Combination with gas hob 75 cm



Use with gas hob only possible  
in air extraction mode.  
Total maximum output: 11.9 kW  
Maximum output of wok 4.2 kW.  
Total maximum output of rear hobs: 4.7 kW

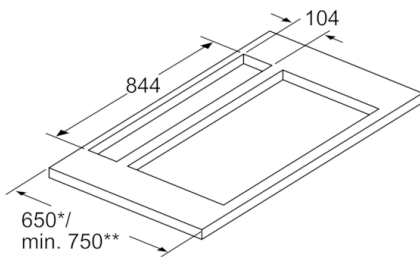
measurements in mm

Combination with gas hob 90 cm



Use with gas hob only possible  
in air extraction mode.  
Total maximum output: 13.7 kW  
Maximum output of wok 6 kW.  
Total maximum output of rear hobs: 4.7 kW

measurements in mm



Only install one side of the appliance at  
least 50 mm from a high-sided unit or a wall.

- \* 650 mm depth only in combination with  
slim hobs.
  - \*\* min. 750 mm for hobs with 500 mm  
cut-out depth.
- measurements in mm