

**Serie | 4, built-under cooker hood, 60 cm, Stainless steel
DHU665CGB**



The built-under cooker hood: save space by mounting the hood beneath your upper cabinet or on the wall.

- **Extraction rate:** ensures optimal kitchen air quality.
- **Metal Grease Filter:** creates a consistently fresh feel-good ambiance before, during and after cooking.
- 3-Speed Power Level Options To Suit Your Cooking Style And Recipes
- 2 Halogen Lights
- 3 Power Levels Allow for Greater Control of Air Circulation

Technical Data

Typology : Built-in/Built-under
Approval certificates : CE, G-Mark
Length electrical supply cord : 130 cm
Net weight : 9.1 kg
Type of control : mechanical
Number of speed settings : 3
Maximum output recirculating air : 260 m³/h
Number of lights : 2
Noise level : 68 dB(A) re 1 pW
Diameter of air outlet : 120 mm
Grease filter material : Washable aluminium
Odour filter : Yes
Operating Mode : Convertible
Type of lamps used : Halogen
Total power of the lamps : 56 W
Grease filter type : Kasette
Connection Rating : 306 W
Voltage : 220-240 V
Frequency : 50 Hz
Plug type : GB plug
Installation typology : Built-under
Material body : Stainless steel
Approval certificates : CE, G-Mark
Plug type : GB plug
Dimensions of the product, with chimney (if exists) (in) : / x x
Dimensions of the packed product : 21.65 x 8.26 x 25.19
Net weight : 20.000 lbs
Gross weight : 22.000 lbs
Motor location : Integrated motor in hood body
No-return airflow flap : No
Length electrical supply cord : 130 cm
Dimensions of the product, with chimney (if exists) : 150 x 600.0 x 482.0 mm
Dimensions of the packed product (HxWxD) : 550 x 210 x 640 mm
Net weight : 9.1 kg
Gross weight : 10.1 kg



**Serie | 4, built-under cooker hood, 60 cm,
Stainless steel
DHU665CGB**

**The built-under cooker hood: save space
by mounting the hood beneath your upper
cabinet or on the wall.**

Variant:

Design:

- 60 cm wide

Comfort:

- Suitable for ducted or re-circulated extraction
- Push button controls for 3 speeds
- Twin motor
- Adjustable glass visor
- 2 x halogen - energy saving lamps
- Metal grease filter, dishwasher safe

Technical information

- Extraction rate exhaust air according to EN 61591: max. 350 m³/h
- Noise level according to EN 60704-3 und EN 60704-2-13 at max. normal use exhaust air: 68 dB(A) re 1 pW (56 dB(A) re 20 µPa sound pressure)
- Power rating: 306 W

Measures:

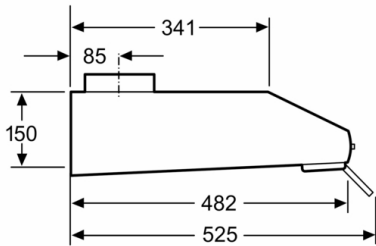
- Dimensions exhaust air (HxWxD): 150 - 150 x 600 x 482 mm
- 120 mm diameter pipe
- Light Intensity: 110 lux
- Colour Temperature: 2700 K

Environment and Safety:

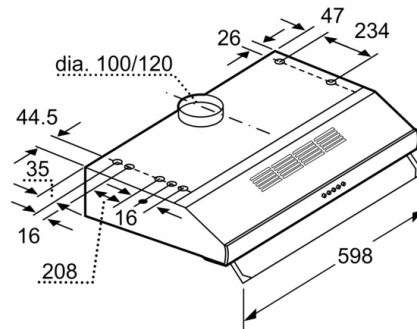
- Energy Efficiency Class: F (at a range of energy efficiency classes from A+++ to D)

** In accordance with the EU-Regulation No 65/2014*

**Serie | 4, built-under cooker hood, 60 cm,
Stainless steel
DHU665CGB**



measurements in mm



measurements in mm