

**Serie | 4, American side by side, 178.7 x 90.8 cm, Inox-look
KAN93VL30M**



Included accessories

1 x egg tray

The NoFrost side-by-side fridge-freezer with indoor electronics: provides a modern door display and saves you from defrosting.

- **MultiBox:** transparent drawer with wave bottom, ideal for the storage of fruits and vegetables
- **LED light:** illuminates the refrigerator evenly without glare, lasts for the life of the appliance.
- **VarioZone:** more flexibility due to variable-use glass shelves and drawers in the freezer compartment.
- **NoFrost:** never defrost again, thanks to perfect protection from ice formation - that saves time and effort.
- MultiAirflow System provides even air distribution in the fridge for prolonged freshness.

Technical Data

Energy Efficiency Class (Regulation (EU) 2017/1369): F

Built-in / Free-standing: Free-standing

Number of compressors: 1

Number of independent cooling systems: 1

Width of the product: 908 mm

Height: 1787 mm

Depth of the product: 707 mm

Net weight: 99.2 kg

Door panel options: Not possible

Door hinge: left and right

Number of Adjustable Shelves in fridge compartment: 0

Shelves for Bottles: No

Interior ventilator: No

Reversible Door Hinge: No

Length electrical supply cord: 200 cm

Noise level: 42 dB(A) re 1 pW

Multi-Flow Air Tower: Yes

Fast cooling switch: Yes

Fast freezing switch: No

Carbon Air Filter: No

Temperature Controlled Drawer: No

Humidity Control Drawer: No

Number of Door Bins - Refrigerator: 5

Door bin adjustability - Refrigerator: No

Tilt-out door bins in fridge: No

Number of Gallon storage: 3

No. of shelves in fridge: 5

Number of shelves - Freezer: 0

Shelf Adjustability - Freezer: Yes

Connection Rating: 240 W

Fuse protection: 10 A

Voltage: 220-240 V

Frequency: 50-60 Hz

Approval certificates: CE

Color / Material body: Grey

Door panel options: Not possible

Noise level: 42 dB(A) re 1 pW

Energy Star Qualified: No

Required cutout/niche size for installation (in): x x

Dimensions of the packed product: 74.68 x 38.66 x 30.70

Net weight: 219.000 lbs

Gross weight: 243.000 lbs

Product name / Commercial code: KAN93VL30M



4 242005 185313

Serie | 4, American side by side, 178.7 x 90.8 cm, Inox-look KAN93VL30M

The NoFrost side-by-side fridge-freezer with indoor electronics: provides a modern door display and saves you from desfrosting.

Performance and consumption

- Total capacity: 616 litres
- Airborne acoustical noise emissions: 42 dB dB(A) re 1 pW

Design

- Door Stainless steel look, side panels Grey
- alu
- LED interior light LED

Comfort and Safety

- NoFrost
- Exterior digital with digital display - at a glance perfectly under control!
- Separate temperature control for cooling and freezing section
- Supercool function with automatic deactivation
- Super freezing with automatic switch off
- Optical and accoustic door open warning system

Fridge Section

- Capacity refrigeration zone: 380 litres
- Multi Airflow-System
- 5 safety glass shelves
- 3 large door shelves

Freshness System

Freezer Section

- Freezer capacity: 236 litres
- Freezing capacity: 12 kg in 24 hours
- 2 transparent freezer drawers
- 5 door trays in the freezing compartment

Technical Information

- 4 height adjustable feet
- Climate Class SN-T

Dimensions

- Dimensions: H 178.7 cm x L 90.8 cm x D 70.7 cm
- Gross capacity, total: 616 l
- Gross capacity cooling 380 l
- Connection load: 240 W
- Rated Voltage 220 - 240 V

Accessories

- 1 x egg tray

Country Specific Options

- Gross capacity**** freezer: 236 l (-18°C and below)
- Based on the results of the standard 25-hour test. Actual consumption depends on usage/position of the appliance.

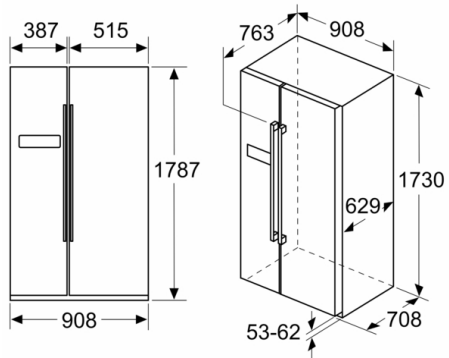
Environment and Safety

Dimension and installation

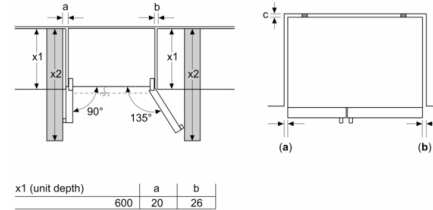
Main Features

**Serie | 4, American side by side, 178.7 x 90.8
cm, Inox-look
KAN93VL30M**

Measurements in mm



measurements in mm



Measurements in mm

