

Serie | 2, telescopic cooker hood, 60 cm, Silver metallic DFT63CA50M



The telescopic cooker hood: practically disappears into your upper cabinet, giving you a sleek kitchen front.

- With exhaust, the air is cleaned by a grease filter and then ducted to the outside which ensures optimal kitchen air quality.
- 3-Speed Power Level Options To Suit Your Cooking Style And Recipes
- Slide Switch Control

Technical Data

Typology :	Pull-out
Approval certificates :	CE, G-Mark, VDE
Length electrical supply cord (cm) :	150
Required niche size for installation (HxWxD) :	135mm x 598.0mm x 264mm
Net weight (kg) :	6.512
Type of control :	mechanical
Number of speed settings :	3
Maximum output air extraction (m ³ /h) :	305
Number of lights :	2
Noise level (dB) :	67
Diameter of air outlet (mm) :	150
Grease filter material :	Washable aluminium
Odour filter :	No
Operating Mode :	Air extraction only
Optional accessories :	DWZ11X1G9
Total power of the lamps (W) :	8
Grease filter type :	Kassette
Connection Rating (W) :	153
Voltage (V) :	220-240
Frequency (Hz) :	50
Plug type :	GB plug
Installation typology :	Built-in
Material body :	Lacquered
Approval certificates :	CE, G-Mark, VDE
Plug type :	GB plug
Dimensions of the product, with chimney (if exists) (in) :	/ x x
Dimensions of the packed product (in) :	14.17 x 10.03 x 25.86
Net weight (lbs) :	14.000
Gross weight (lbs) :	16.000
Motor location :	Integrated motor in hood body
No-return airflow flap :	No
Length electrical supply cord (cm) :	150
Dimensions of the product, with chimney (if exists) (mm) :	175 x 598.0 x 300.0
Dimensions of the packed product (HxWxD) (mm) :	360 x 255 x 657
Net weight (kg) :	6.512
Gross weight (kg) :	7.3



**Serie | 2, telescopic cooker hood, 60 cm,
Silver metallic
DFT63CA50M**

The telescopic cooker hood: practically disappears into your upper cabinet, giving you a sleek kitchen front.

Variant:

Design:

- Pull-out vapour with glass
- Handle strip white

Comfort:

- Suitable for ducted or re-circulated extraction
- 3 speeds control
- Single motor
- Metal grease filter, dishwasher safe

Environment and Safety:

- Energy Efficiency Class: D*
- Average Energy Consumption: 88.6 kWh/year*
- Lighting Efficiency Class: D*
- Grease Filtering Efficiency Class: C*

Technical Info:

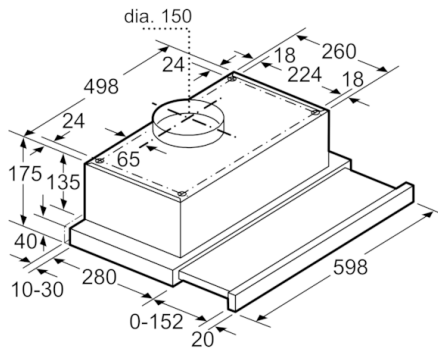
- Ducted extraction rate according to DIN/EN 61591 max. 305 m³/h
- 2 X 4 W LED Illumination
- Noise level according to EN 60704-3 und EN 60704-2-13 at max. normal use exhaust air: 67 dB(A) re 1 pW (53 dB(A) re 20 µPa sound pressure)
- Noise min./max. Normal Level: 53/67 dB*
- Power rating: 153 W

Measures:

- Dimensions exhaust air (HxWxD): 175-175 x 598 x 300 mm
- Dimensions recirculating (HxWxD): 175-175 x 598 x 300 mm
- Diameter pipe Ø 150 mm (Ø 150 mm enclosed)
- Light Intensity: 100 lux
- Colour Temperature: 3000 K

* In accordance with the EU-Regulation No 65/2014

**Serie | 2, telescopic cooker hood, 60 cm,
Silver metallic
DFT63CA50M**



measurements in mm