

**Serie | 8, wall-mounted cooker hood,
90 cm, clear glass black printed
DWF97RV60B**



**Flat design hood: always keep an eye
on your pots and pans with this design
highlight.**

- **PerfectAir sensor:** automatic control of settings for maximal extractor performance with minimal noise.
- **especially silent:** maximal extractor performance with minimal noise
- **Easy-to-clean interior:** hidden screws and cables along with rounded edges make cleaning easy.
- Manage your appliances with your voice, thanks to the Amazon Alexa voice control.*
- **Grease filtration level:** filters out over 85% of the grease from kitchen air

Technical Data

Typology :	Chimney
Approval certificates :	CE, G-Mark, VDE
Length electrical supply cord (cm) :	130
Height of product, without chimney (mm) :	430
Net weight (kg) :	25.208
Type of control :	Electronic
Number of speed settings :	3-stage + 2 intensive
Maximum output air extraction (m ³ /h) :	394
Boost position output recirculating (m ³ /h) :	527.0
Maximum output recirculating air (m ³ /h) :	294
Boost position air extraction (m ³ /h) :	717
Number of lights :	2
Noise level (dB) :	57
Diameter of air outlet (mm) :	120 / 150
Grease filter material :	Washable aluminium
Odour filter :	No
Operating Mode :	Convertible
Delay Shut off modes :	1
Optional accessories :	DWZ0AF0A0, DWZ0AF0R0, DWZ0AF0S0, DWZ0AF0T0, DWZ0AF0U0, DWZ0AX5K0, DWZ0AX5L0, DWZ1AF1B6, DWZ1AF1I6, DWZ1AF1V6, DWZ1AX5C6, DWZ1AX6E1, DZZ0XX0P0, DZZ1XX1B6
Type of lamps used :	LED
Grease filter type :	Kassette
Connection Rating (W) :	146
Current (A) :	10
Voltage (V) :	220-240
Frequency (Hz) :	50; 60
Plug type :	GB plug
Installation typology :	Wall-mounted
Material body :	Glass, Lacquered
Approval certificates :	CE, G-Mark, VDE
Plug type :	GB plug
Dimensions of the product, with chimney (if exists) (in) :	/ x x
Dimensions of the packed product (in) :	21.25 x 29.13 x 40.94
Net weight (lbs) :	56.000
Gross weight (lbs) :	72.000
Motor location :	Integrated motor in hood body
No-return airflow flap :	No
Length electrical supply cord (cm) :	130
Dimensions of the product, with chimney (if exists) (mm) :	550 x 890.0 x 263.0
Dimensions of the packed product (HxWxD) (mm) :	540 x 740 x 1040
Net weight (kg) :	25.208
Gross weight (kg) :	32.7



4 242002 946597

Serie | 8, wall-mounted cooker hood, 90 cm, clear glass black printed DWF97RV60B

Flat design hood: always keep an eye on your pots and pans with this design highlight.

Design:

- Wall mounted hood
- Chimney hood
- 90 cm
- Appliance colour: black

Comfort:

- Suitable for ducted or re-circulated extraction
- In recirculation operation chimless use possible
- For recirculated extraction a recirculating kit or a CleanAir recirculation kit (accessory) is needed
- Gas spring 3
- Electronic via TouchControl with 2x7-segment, Electronic display
- 2 capture areas: front side and bottom side
- easy to clean Inner frame
- Operation with gas cooktop not allowed
- Light dimmer function
- SoftLight, Light dimmer function
- BLDC for Ventilation
- 2 single inlet vertical, BLDC for Ventilation
- Metal grease filter, dishwasher safe
- grease- and charcoal filter
- Filter cover glass
- Rim extraction
- 7-segment display with control ring

Remote Monitoring and Control (only in countries where Home Connect service is available)

- Remote Monitoring and Control for connected home appliances and operation via smartphone or tablet (only in countries where Home Connect service is available)
- The Home Connect functionality can be extended by integrating numerous applications from external cooperation partners (partnerships)

Environment and safety:

- Energy Efficiency Class: B*
- Average Energy Consumption: 40 kWh/year*
- Blower Efficiency Class: B*
- Lighting Efficiency Class: A*
- Grease Filtering Efficiency Class: B*

Technical information:

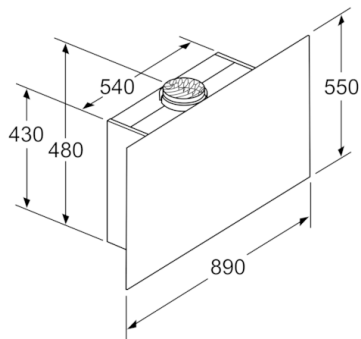
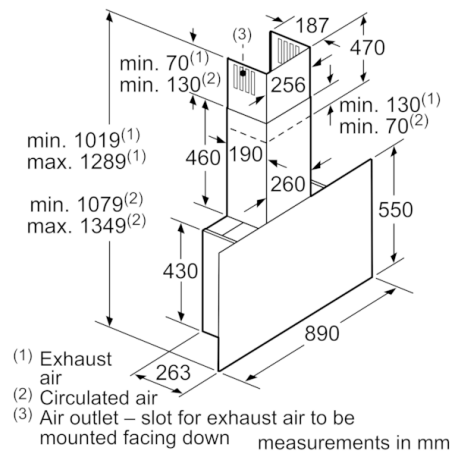
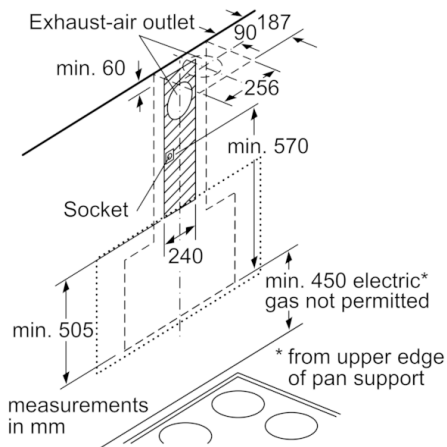
- Extraction rate according to DIN/EN 61591 \varnothing 15 cm: max. Normal 394 m³/h Intensive 717 m³/h
- Max. extraction rate: 717 m³/h
- Extraction rate in recirculation mode: Max. normal use: 294 m³/h Intensive: 527 m³/h
- Noise level according to EN 60704-3 und EN 60704-2-13 exhaust air: Max. normal use: 57 dB(A) re 1 pW (44 dB(A) re 20 μ Pa sound pressure) Intensive: 57 dB(A) re 1 pW (57 dB(A) re 20 μ Pa sound pressure)
- Noise min./max. Normal Level: 43/57 dB*
- Noise levels in recirculation mode: Max. normal use: 60 dB(A) re 1 pW (47 dB(A) re 20 μ Pa sound pressure) Intensive: 73 dB(A) re 1 pW (60 dB(A) re 20 μ Pa sound pressure)
- 2 x 3W LED
- Colour Temperature: 3500 K
- Light Intensity: 589 lux
- Power rating: 146 W

Measures:

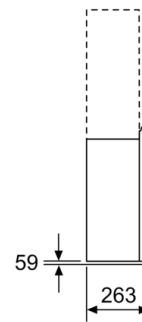
- Dimensions exhaust air (HxWxD): 1019-1289 x 890 x 263 mm
- Dimensions recirculating, chimney (HxWxD): 1079-1349 x 890 x 263 mm
- Dimensions recirculating with CleanAir module (HxWxD): 1209 x 890 x 263 mm - mounting with outer chimney 1279-1549 x 890 x 263 mm - mounting with telescopic chimney
- Dimensions recirculating, chimless (HxWxD): 550 mm x 890 x 263 mm
- Diameter pipe \varnothing 150 mm (\varnothing 120 mm enclosed)

* In accordance with the EU-Regulation No 65/2014

**Serie | 8, wall-mounted cooker hood, 90 cm,
clear glass black printed
DWF97RV60B**



Appliance in circulated air mode
without duct
Circulated air set required
measurements in mm



measurements in mm

