

**Serie | 6, Built-In Microwave, 59 x 38 cm, Stainless steel
BEL554MS0M**



Included accessories

1 x grid
1 x Turntable

**The built-in microwave for the 38 cm niche:
use it for thawing, heating and faster
preparation of foods.**

- **AutoPilot 8:** every dish is a perfect success thanks to 8 pre-set automatic programmes.
- **LED-display control, white:** easy-to-use thanks to direct access to additional functions.
- **Pop-out controls:** Make the front of the oven easy to clean and give it a sleek look.
- **Stainless steel interior:** easy to clean interior thanks to smooth surfaces and no sharp edges.
- **Cleaning Assistance:** less cleaning effort thanks to the new cleaning option, which can be especially used for cleaning of light soiling.

Technical Data

Type of micro-wave oven : MW+Grill function

Type of control : Electronic

Color / Material Front : Stainless steel

Cavity dimensions : 208.0 x 328.0 x 369.0 mm

Length electrical supply cord : 130 cm

Net weight : 18.0 kg

Gross weight : 20.7 kg

Approval certificates : CE, G-Mark

Maximum micro-wave power : 900 W

Number of Power Levels : 5

Turntable : Yes

Cavity material : Stainless steel

Door opening : Button

Clock : Yes

Included accessories : 1 x grid, 1 x Turntable

Main colour of product : Stainless steel

Height of the product : 382 mm

Width of the appliance : 594 mm

Depth of the product : 388 mm

Maximum micro-wave power : 900 W

Connection Rating : 1450 W

Fuse protection : 10 A

Voltage : 230-240 V

Frequency : 50 Hz

Plug type : GB plug

Color / Material Front : Stainless steel

Approval certificates : CE, G-Mark

Appliance Dimensions (h x w x d) (in) : x x

Dimensions of the packed product : 18.50 x 18.11 x 25.98

Net weight : 40.000 lbs

Gross weight : 46.000 lbs



**Serie | 6, Built-In Microwave, 59 x 38 cm,
Stainless steel
BEL554MS0M**

**The built-in microwave for the 38 cm niche:
use it for thawing, heating and faster
preparation of foods.**

Dimensions:

- Appliance dimension (hxwx): 382 mm x 594 mm x 388 mm
- Niche dimension (hxwx): 380 mm - 382 mm x 560 mm - 568 mm x 550 mm
- "Please reference the built-in dimensions provided in the installation drawing"

Microwave and heating mode:

- Max. Power: 900 W; 5 Microwave power settings: 90 W, 180 W, 360 W, 600 W, boost
- Grill 1.2 KW
- Grill and microwave power levels 90 W, 180 W, 360 W combinable
- Microwave and grill for separate use
- Cavity volume: 25 l

Design:

- stainless steel cavity

Comfort:

- LED display control
- electronic clock
- Rotary Control, Pop-out controls, Touch control
- User-friendly electronics: extremely easy and comfortable operation
- AutoPilot 8
- 4 defrost and 3 cooking programmes in microwave function, 1 programme for combination function
- Memory for individual programmes (1 setting)
- LED light
- 31.5 cm glass turntable
- side opening door, hinge left
- Electronic door opener
- Touch key operation

Accessory:

- turntable, grid

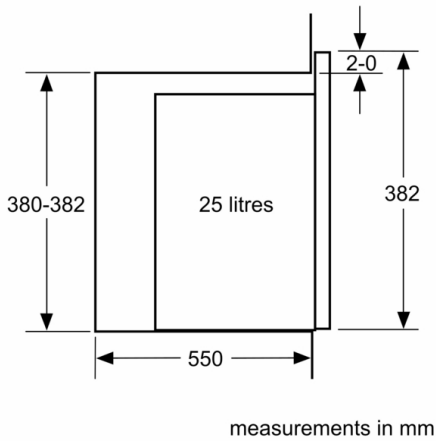
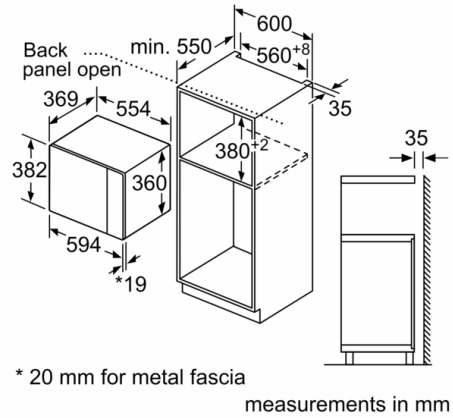
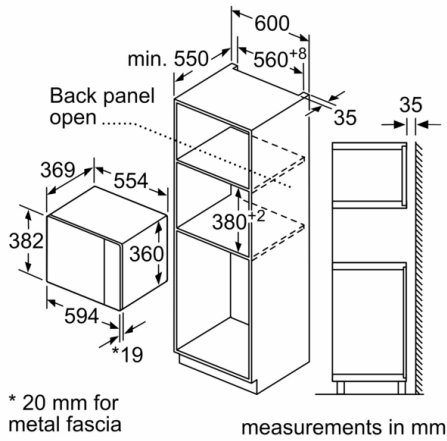
Environment and Safety:

- Door contact switch
- Integral cooling fan

Technical Information

- Length of mains cable: 130 cm
- Total connected load electric: 1.45 KW
- Nominal voltage: 230 - 240 V
- suitable for high cupboard installation

**Serie | 6, Built-In Microwave, 59 x 38 cm,
Stainless steel
BEL554MS0M**



Microwave,
corner installation

