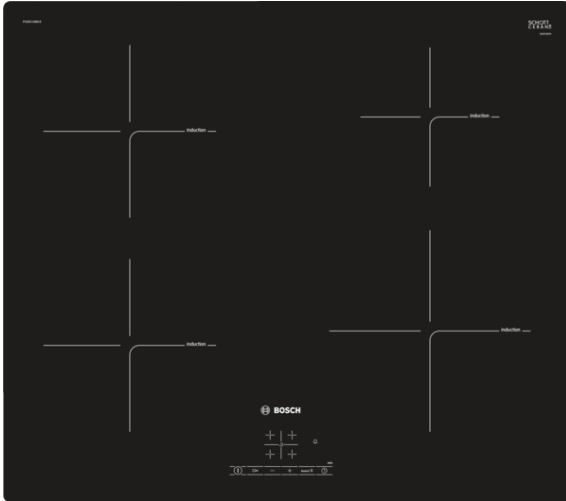


**Serie | 4, induction hob, 60 cm, Black
PUE611BB1E**

The induction hob: cook fast, clean and safely while using very little energy.

- **TouchSelect:** Selection of the desired cooking zone and easy setting of the desired power level.
- **PowerBoost:** Up to 50% more power for faster heating.
- **QuickStart:** start straight away and select the desired cooking level.
- **ReStart:** if something boils over, the cooktop automatically turns itself off and saves the last selected setting.

Technical Data

Product name/family :	Cooking zone ceramic
Construction type :	Built-in
Energy input :	Electric
Total number of positions that can be used at the same time :	4
Required niche size for installation (HxWxD) :	51 x 560-560 x 490-500
Width of the appliance :	592
Dimensions :	51 x 592 x 522
Dimensions of the packed product (HxWxD) (mm) :	126 x 753 x 603
Net weight (kg) :	11.371
Gross weight (kg) :	12.6
Residual heat indicator :	Separate
Location of control panel :	Hob front
Basic surface material :	Ceramic
Color of surface :	Black
Approval certificates :	AENOR, CE
Length electrical supply cord (cm) :	110
Sealed Burners :	No
heating with booster :	All
Power of heating element (kW) :	1.8
Power of 3rd heating element (kW) :	1.8
Power of 5th heating element (kW) :	1.4
Power of heating element (kW in boost) :	[3.1]
Power of 3rd heating element (kW in boost) :	[3.1]
Power of 5th heating element (kW in boost) :	[2.2]
Connection Rating (W) :	4600
Voltage (V) :	220-240
Frequency (Hz) :	50; 60
Main colour of product :	Black
Energy input :	Electric
Approval certificates :	AENOR, CE
Plug type :	no plug
Appliance Dimensions (h x w x d) (in) :	+ x x
Dimensions of the packed product (in) :	4.96 x 23.74 x 29.64
Net weight (lbs) :	25.000
Gross weight (lbs) :	28.000
Total number of positions that can be used at the same time :	4
Length electrical supply cord (cm) :	110
Required niche size for installation (HxWxD) :	51 x 560-560 x 490-500
Dimensions :	51 x 592 x 522
Dimensions of the packed product (HxWxD) (mm) :	126 x 753 x 603
Net weight (kg) :	11.371
Gross weight (kg) :	12.6



Serie | 4, induction hob, 60 cm, Black PUE611BB1E

The induction hob: cook fast, clean and safely while using very little energy.

Design:

- Frameless design

Comfort:

- 4 Induction zones
- Direct Select
- Electronic display
- Timer with switch-off function for all zones Alarm clock
- Automatic pan recognition sensor PowerManagement
Function Safety switch-off Childproof lock
- loose insert in packaging
- Connected load: 4.6 KW

Power and size:

- Electronic regulation 17 power levels
- Min. worktop thickness: 16 mm

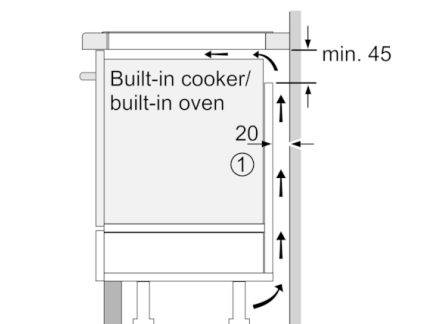
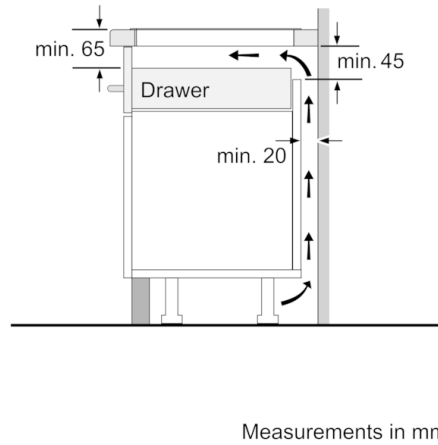
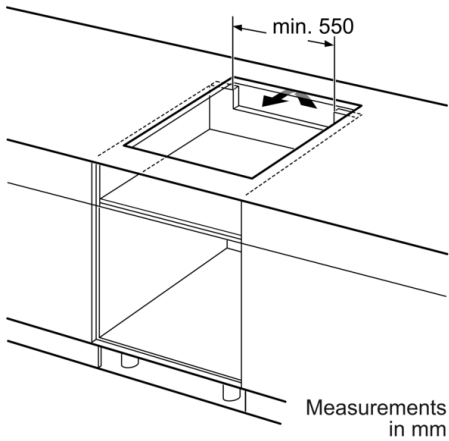
Environment+safety:

- Digital 2 stage residual heat indicator per cooking zone
- Main switch

Quickness:

- Boost function for all zones

**Serie | 4, induction hob, 60 cm, Black
PUE611BB1E**



① Ventilation gap must be present

All measurements in mm

