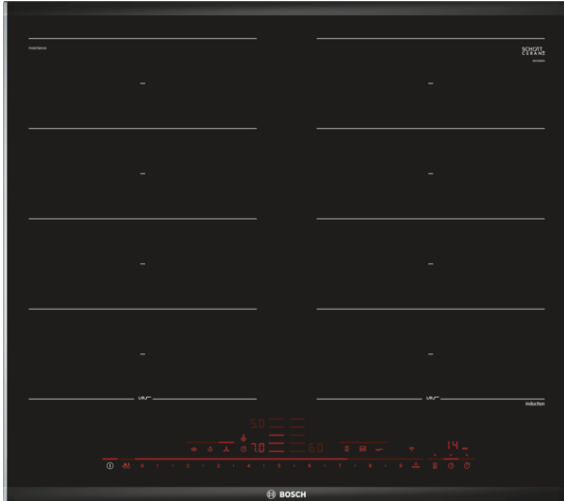


**Serie | 8, induction hob, 60 cm, Black  
PXX675DV1E**

**The induction hob with PerfectFry: achieve perfect frying results thanks to automatic temperature control.**

- **DirectSelect Premium:** Direct, simple selection of the desired cooking zone, power and additional functions.
- **FlexInduction Zone:** Get more flexibility by combining the cooking zones into one big zone for placing small pots and large cookware.
- **PerfectFry:** For perfect browning of roasted foods thanks to sensor control with 5 power levels.
- **Home Connect:** Connected home appliances for an easier everyday life. (only in countries where Home Connect service is available)
- **PowerBoost:** Up to 50% more power for faster heating.

**Technical Data**

Product name/family :	Cooking zone ceramic
Construction type :	Built-in
Energy input :	Electric
Total number of positions that can be used at the same time :	4
Required niche size for installation (HxWxD) :	51 x 560-560 x 490-500
Width of the appliance :	606
Dimensions :	51 x 606 x 527
Dimensions of the packed product (HxWxD) (mm) :	126 x 753 x 603
Net weight (kg) :	14.351
Gross weight (kg) :	15.6
Residual heat indicator :	Separate
Location of control panel :	Hob front
Basic surface material :	Ceramic
Color of surface :	Black
Approval certificates :	AENOR, CE
Length electrical supply cord (cm) :	110
Sealed Burners :	No
heating with booster :	All
Power of 2nd heating element (kW) :	3.3
Power of heating element (kW in boost) :	[3.7]
:	3.7
Power of 6th heating element (kW in boost) :	3.7
Connection Rating (W) :	7400
Voltage (V) :	220-240
Frequency (Hz) :	60; 50
Main colour of product :	Black
Energy input :	Electric
Approval certificates :	AENOR, CE
Plug type :	no plug
Appliance Dimensions (h x w x d) (in) :	+ x x
Dimensions of the packed product (in) :	4.96 x 23.74 x 29.64
Net weight (lbs) :	32.000
Gross weight (lbs) :	34.000
Total number of positions that can be used at the same time :	4
Length electrical supply cord (cm) :	110
Required niche size for installation (HxWxD) :	51 x 560-560 x 490-500
Dimensions :	51 x 606 x 527
Dimensions of the packed product (HxWxD) (mm) :	126 x 753 x 603
Net weight (kg) :	14.351
Gross weight (kg) :	15.6



## Serie | 8, induction hob, 60 cm, Black PXX675DV1E

**The induction hob with PerfectFry: achieve perfect frying results thanks to automatic temperature control.**

---

**Professional equipment:**

- PerfectFry sensor with 5 temperature settings

**Design:**

- Facette front and rear, side profiles

**Quickness:**

- Boost function for all zones
- All

**Comfort:**

- 4 Induction zones
- Direct Select
- 3-steps
- Electronic display
- Timer with switch-off function for all zones Alarm clock count-up timer, per cooktop
- Home Connect (only in countries where Home Connect service is available)
- Hob-based hood control (with matching hood)

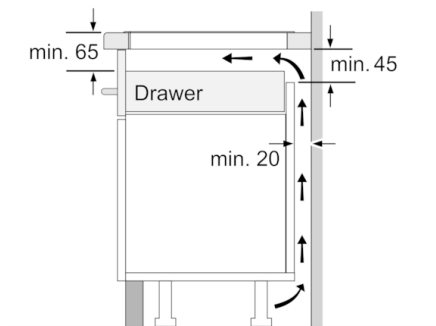
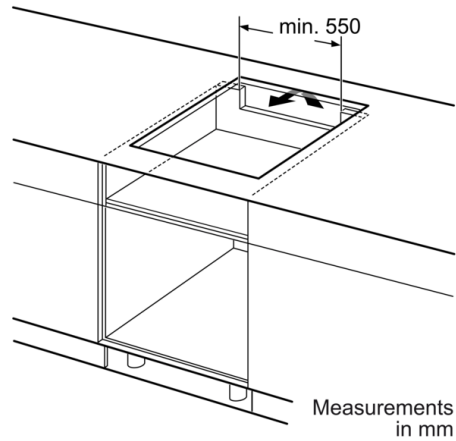
**Power and size:**

- Electronic regulation 17 power levels

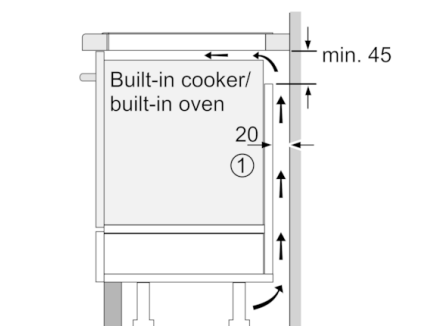
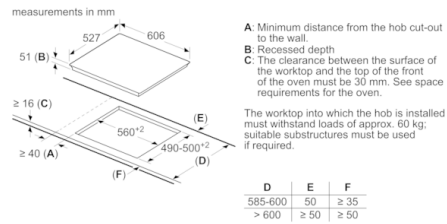
**Environment+safety:**

- Digital 2 stage residual heat indicator per cooking zone
- Main switch
- Automatic pan recognition sensor PowerManagement  
Function Safety switch-off Childproof lock Whipe protection function
- Measurement: (H/B/T) 51 x 606 x 527 mm
- Required niche size for installation (HxWxD mm) : 51 x 560 x 490 - 500
- Min. worktop thickness: 16 mm
- Connected load: 7.4 KW
- loose insert in packaging

**Serie | 8, induction hob, 60 cm, Black  
PXX675DV1E**



Measurements in mm



① Ventilation gap must be present

All measurements in mm