

**Serie | 2, wall-mounted cooker hood,
60 cm, Stainless steel
DWP64CC50M**



The wall-mounted chimney hood: mount it on the wall, giving you complete freedom in your kitchen planning.

- **Silent:** maximal extractor performance with little noise
- With exhaust, the air is cleaned by a grease filter and then ducted to the outside which ensures optimal kitchen air quality.
- 3-Speed Power Level Options To Suit Your Cooking Style And Recipes

Technical Data

Typology :	Chimney
Approval certificates :	CE, VDE
Length electrical supply cord (cm) :	120
Height of the chimney (mm) :	410-765/410-765
Height of product, without chimney (mm) :	250
Net weight (kg) :	11.284
Type of control :	mechanical
Number of speed settings :	3
Maximum output air extraction (m3/h) :	380
Maximum output recirculating air (m3/h) :	235
Number of lights :	2
Noise level (dB) :	64
Diameter of air outlet (mm) :	150
Grease filter material :	Washable aluminium
Odour filter :	No
Operating Mode :	Convertible
Optional accessories :	DWA0KP6A
Type of lamps used :	LED
Total power of the lamps (W) :	10
Grease filter type :	Kassette
Connection Rating (W) :	135
Voltage (V) :	220-240
Frequency (Hz) :	50
Plug type :	GB plug
Installation typology :	Wall-mounted
Material body :	Stainless steel
Approval certificates :	CE, VDE
Plug type :	GB plug
Dimensions of the product, with chimney (if exists) (in) :	/ x x
Dimensions of the packed product (in) :	15.74 x 27.95 x 23.62
Net weight (lbs) :	25.000
Gross weight (lbs) :	28.000
Motor location :	Integrated motor in hood body
No-return airflow flap :	No
Length electrical supply cord (cm) :	120
Dimensions of the product, with chimney (if exists) (mm) :	790-1015 x 598.0 x 470.0
Dimensions of the packed product (HxWxD) (mm) :	400 x 710 x 600
Net weight (kg) :	11.284
Gross weight (kg) :	12.7



Serie | 2, wall-mounted cooker hood, 60 cm, Stainless steel DWP64CC50M

**The wall-mounted chimney hood: mount it
on the wall, giving you complete freedom in
your kitchen planning.**

Variant:

Design:

- Appliance colour: stainless steel
- Wall mounted hood

Comfort:

- Suitable for ducted or re-circulated extraction
- 3 speeds
- push buttons for extractor speeds and light
- Metal grease filter, dishwasher safe
- Charcoal filter

Environment and Safety:

- Energy Efficiency Class: D*
- Lighting Efficiency Class: A*
- Grease Filtering Efficiency Class: C*
- Average Energy Consumption: 72.8 kWh/year*

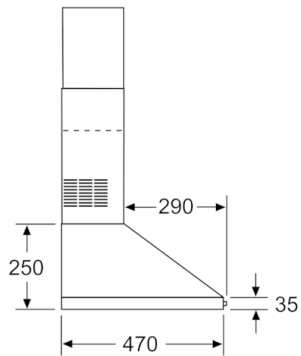
Technical Info:

- Maximum extraction rate exhaust air 380 m³/h according to EN 61591
- Extraction rate in recirculation mode: Max. normal use: 235 m³/h
- Noise min./max. Normal Level: 53/64 dB*
- Noise level in recirculation mode: Max. normal use: 70 dB(A) re 1 pW (56 dB(A) re 20 µPa sound pressure)
- Power rating: 135 W
- Light Intensity: 1000 lux
- Colour Temperature: 4000 K

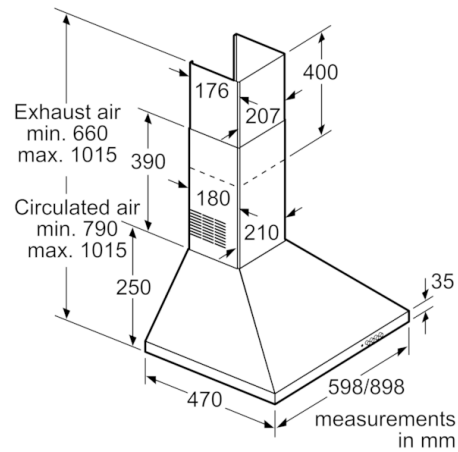
Measures:

- Electrical cable length 1.2 m
- Diameter pipe Ø 150 mm (Ø 150 mm enclosed)
- Dimensions exhaust air (HxWxD): 790 - 1015 x 598 x 470 mm
- Dimensions recirculating (HxWxD): 790 - 1015 x 598 x 470 mm

**Serie | 2, wall-mounted cooker hood, 60 cm,
Stainless steel
DWP64CC50M**



measurements in mm



measurements in mm

