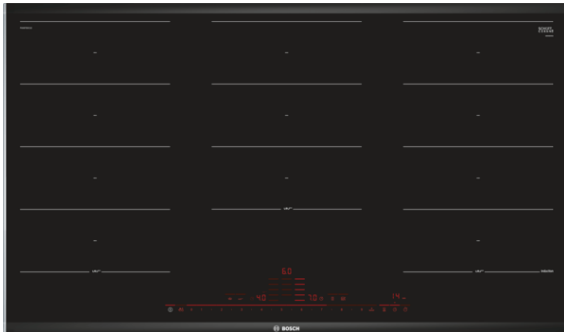


**Serie | 8, induction hob, 90 cm, Black  
PXX975DC1E**

**The induction hob with PerfectFry: achieve perfect frying results thanks to automatic temperature control.**

- **DirectSelect Premium:** Direct, simple selection of the desired cooking zone, power and additional functions.
- **FlexInduction Zone:** Get more flexibility by combining the cooking zones into one big zone for placing small pots and large cookware.
- **PerfectFry:** For perfect browning of roasted foods thanks to sensor control with 5 power levels.
- **PowerBoost:** Up to 50% more power for faster heating.
- **QuickStart:** start straight away and select the desired cooking level.

**Technical Data**

Product name/family :	Cooking zone ceramic
Construction type :	Built-in
Energy input :	Electric
Total number of positions that can be used at the same time :	5
Required niche size for installation (HxWxD) :	51 x 880-880 x 490-500
Width of the appliance :	916
Dimensions :	51 x 916 x 527
Dimensions of the packed product (HxWxD) (mm) :	126 x 1073 x 603
Net weight (kg) :	20.825
Gross weight (kg) :	22.7
Residual heat indicator :	Separate
Location of control panel :	Hob front
Basic surface material :	Ceramic
Color of surface :	Black
Approval certificates :	AENOR, CE
Length electrical supply cord (cm) :	110
Sealed Burners :	No
heating with booster :	All
Power of 2nd heating element (kW) :	3.3
Power of heating element (kW in boost) :	[3.7]
:	3.7
Power of 6th heating element (kW in boost) :	3.7
Connection Rating (W) :	11100
Voltage (V) :	220-240
Frequency (Hz) :	50; 60
Main colour of product :	Black
Energy input :	Electric
Approval certificates :	AENOR, CE
Plug type :	no plug
Appliance Dimensions (h x w x d) (in) :	+ x x
Dimensions of the packed product (in) :	4.96 x 23.74 x 42.26
Net weight (lbs) :	46.000
Gross weight (lbs) :	50.000
Total number of positions that can be used at the same time :	5
Length electrical supply cord (cm) :	110
Required niche size for installation (HxWxD) :	51 x 880-880 x 490-500
Dimensions :	51 x 916 x 527
Dimensions of the packed product (HxWxD) (mm) :	126 x 1073 x 603
Net weight (kg) :	20.825
Gross weight (kg) :	22.7



## Serie | 8, induction hob, 90 cm, Black PXX975DC1E

**The induction hob with PerfectFry: achieve perfect frying results thanks to automatic temperature control.**

---

### **Design:**

- Facette front and rear, side profiles
- Can be combined with all hobs in comfort design

### **Comfort:**

- 5 Induction cooking zones
- Direct Select
- 3-steps
- Electronic display
- Electronic regulation 17 power levels
- Timer with switch-off function for all zones Alarm clock count-up timer, per cooktop
- Automatic pan recognition sensor PowerManagement  
Function Safety switch-off Childproof lock Whipe protection function
- loose insert in packaging
- Connected load: 11.1 KW

### **Power and size:**

- Cooking zones: 1 x Ø 400 mmx240 mm, 3.3 KW (max. Power levels 3.7 KW) Induction or 2 x Ø 200 mm, 2.2 KW (max. Powerlevels 3.7 KW) Induction; 1 x Ø 300 mmx240 mm, 2.6 KW (max. Power levels 3.7 KW) Induction; 1 x Ø 400 mmx240 mm, 3.3 KW (max. Power levels 3.7 KW) Induction or 2 x Ø 200 mm, 2.2 KW (max. Power levels 3.7 KW) Induction
- Min. worktop thickness: 16 mm

### **Environment+safety:**

- Digital 2 stage residual heat indicator per cooking zone
- Main switch

### **Professional equipment:**

- PerfectFry sensor with 5 temperature settings

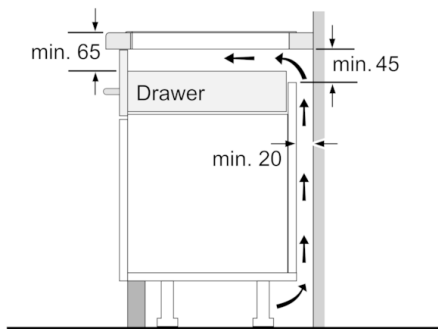
### **Quickness:**

- Boost function for all zones
- Connection cable 110 cm

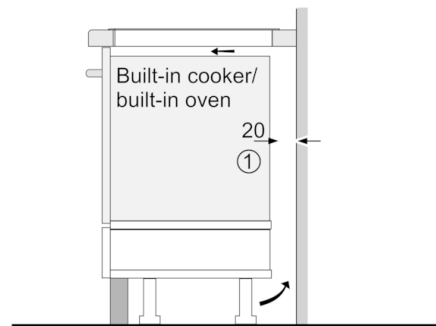
### **Performance**

- 3 Flex zones
- PowerManagement Function
- Childproof lock
- Safety switch-off
- Required niche size for installation (HxWxD mm) : 51 x 880 x 490 - 500

## Serie | 8, induction hob, 90 cm, Black PXX975DC1E

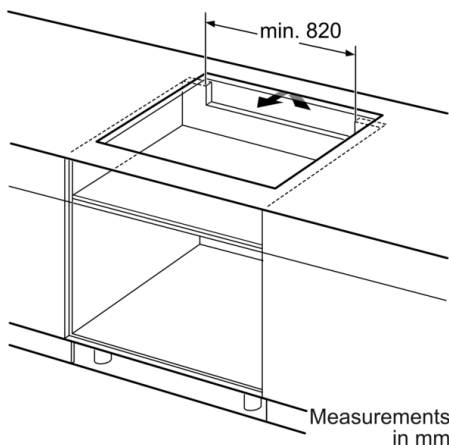


Measurements in mm

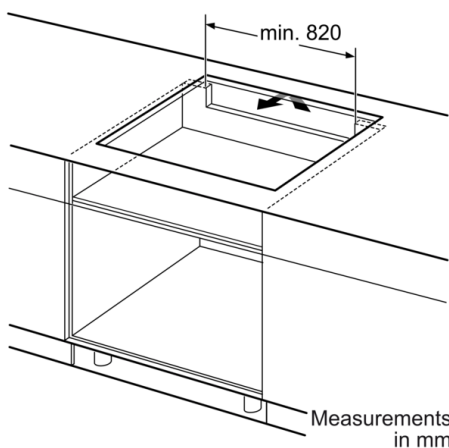
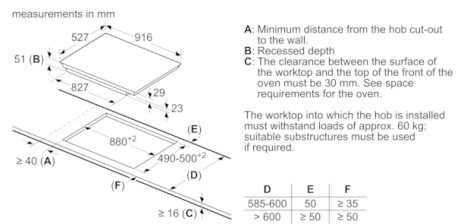


①  
Ventilation gap must  
be present.

Measurements in mm



Measurements  
in mm



Measurements  
in mm