

**Serie | 4, built-in fridge-freezer with freezer at bottom, 177.2 x 54.1 cm KIV87VS30M**



**Included accessories**

- 2 x cold accumulator
- 2 x egg tray
- 1 x ice cube tray

**The bottom freezer with electronic temperature control and MultiBox: set the temperature easily and precisely.**

- **MultiBox:** transparent drawer with wave bottom, ideal for the storage of fruits and vegetables
- **LED light:** illuminates the refrigerator evenly without glare, lasts for the life of the appliance.
- **BigBox frozen food drawer:** for stacking storage containers or for large frozen food items.
- **VarioZone:** more flexibility due to variable-use glass shelves and drawers in the freezer compartment.
- **Energy efficiency class A++:** cools especially efficiently.

**Technical Data**

Built-in / Free-standing :	Built-in
Number of compressors :	1
Number of independent cooling systems :	1
Width of the appliance :	541
Depth of the product :	545
Net weight (kg) :	61.648
Required niche size for installation (HxWxD) :	1775.0 x 560 x 550
Door panel options :	Not possible
Door hinge :	Right reversible
Number of Adjustable Shelves in fridge compartment :	4
Shelves for Bottles :	No
Frost free system :	No
Interior ventilator :	No
Reversible Door Hinge :	Yes
Length electrical supply cord (cm) :	230
Noise level (dB) :	38
Multi-Flow Air Tower :	No
Fast cooling switch :	No
Fast freezing switch :	No
Temperature Controlled Drawer :	No
Humidity Control Drawer :	No
Number of Door Bins - Refrigerator :	5
Door bin adjustability - Refrigerator :	No
Tilt-out door bins in fridge :	No
Gallon Storage :	Yes
Number of Gallon storage :	1
Motorized Shelf :	No
Door opened indicator freezer :	No
Drawers with telescopic rails :	none
Automatic motor-driven ice-maker :	No
Connection Rating (W) :	90
Current (A) :	10
Voltage (V) :	220-240
Frequency (Hz) :	50
Storage Period in Event of Power Failure (h) :	26
Approval certificates :	CE, G-Mark, VDE
Main colour of product :	White
Door panel options :	Not possible
Noise level (dB) :	38
Energy Star Qualified :	No
Approval certificates :	CE, G-Mark, VDE
Plug type :	GB plug
Required cutout/niche size for installation (in) :	x x
Dimensions of the packed product (in) :	72.44 x 24.40 x 25.19
Net weight (lbs) :	136.000
Gross weight (lbs) :	148.000



4 242002 941479

**Serie | 4, built-in fridge-freezer with freezer  
at bottom, 177.2 x 54.1 cm  
KIV87VS30M**

**The bottom freezer with electronic  
temperature control and MultiBox: set the  
temperature easily and precisely.**

---

**Performance and consumption**

- Total capacity: 274 litres
- Freezer capacity: 64 litres
- Storage time in power failure: 26 Hours
- Freezing capacity: 3 kg in 24 hours
- Climate Class SN-T
- Airborne acoustical noise emissions: 38 dB dB(A) re 1 pW

**Design**

- Sliding hinge
- Easy clean interior

**Comfort and Safety**

- LED electronic control
- 1 compressor/1 cold circuit
- Automatic defrost in fridge section

**Fridge Section**

- 5 safety glass shelves of which 4 are height adjustable
- 1 large door shelves
- LED interior light LED

**Freshness System**

- Vegetable container with wavy bottom

**Freezer Section**

- 2 transparent freezer drawers, incl.1

**Technical Information**

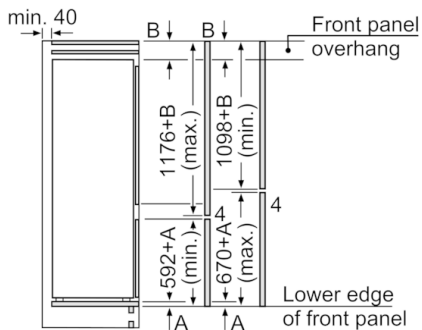
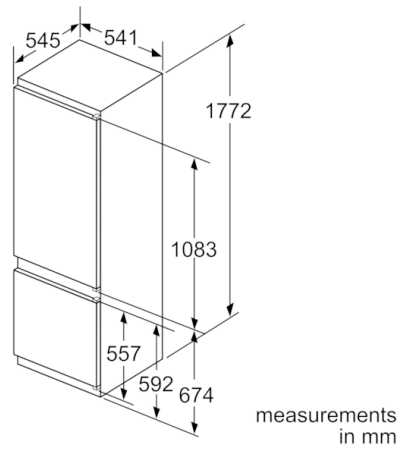
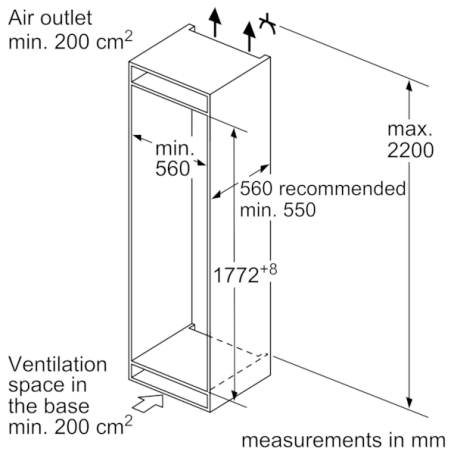
- Door right hinged, reversible Door
- Connection load: 90 W
- Rated Voltage 220 - 240 V

**Dimensions**

- Dimensions: H 177.2 cm x L 54.1 cm x D 54.5 cm

**Accessories**

**Serie | 4, built-in fridge-freezer with freezer at bottom, 177.2 x 54.1 cm**  
**KIV87VS30M**



The specified unit door dimensions are valid for a door gap of 4 mm.  
 measurements in mm