

**Serie | 6, Flex induction cooktop, 30 cm, Black PXX375FB1E**



**The FlexInduction hob: you can place multiple pots and pans or large cookware anywhere on the flexible cooking zone.**

- **DirectSelect:** Direct, simple selection of the desired cooking zone, power and additional functions.
- **FlexInduction Zone:** Get more flexibility by combining the cooking zones into one big zone for placing small pots and large cookware.
- **PowerBoost:** Up to 50% more power for faster heating.
- **QuickStart:** start straight away and select the desired cooking level.
- **ReStart:** if something boils over, the cooktop automatically turns itself off and saves the last selected setting.

**Technical Data**

Product name/family :	Vario/Domino cooking zone cera
Built-in / Free-standing :	Built-in
Energy input :	Electric
Total number of positions that can be used at the same time :	2
Required niche size for installation (HxWxD) :	51 x 270 x 490-500
Width of the appliance :	306
Dimensions :	51 x 306 x 527
Dimensions of the packed product (HxWxD) (mm) :	110 x 370 x 573
Net weight (kg) :	7.718
Gross weight (kg) :	8.3
Basic surface material :	Ceramic
Color of surface :	Alu, brushed, Black
Approval certificates :	AENOR, CE
Length electrical supply cord (cm) :	110
Connection Rating (W) :	3700
Voltage (V) :	220-240
Frequency (Hz) :	60; 50



**Serie | 6, Flex induction cooktop, 30 cm,  
Black  
PXX375FB1E**

**The FlexInduction hob: you can place  
multiple pots and pans or large cookware  
anywhere on the flexible cooking zone.**

---

**Design:**

- Facette front and rear, side profiles
- Can be combined with all hobs in comfort design
- Can be combined with 60, 70, 80 and 90 cm hobs

**Comfort:**

- 2-fold
- Direct Select
- Timer with switch-off function for all zones Alarm clock count-up timer, per cooktop
- Automatic pan recognition sensor PowerManagement  
Function Safety switch-off Childproof lock
- Connected load: 3.7 KW
- Min. worktop thickness: 16 mm

**Environment+safety:**

- Digital 2 stage residual heat indicator per cooking zone
- Main switch
- Electronic display
- Electronic regulation 17 power levels

**Quickness:**

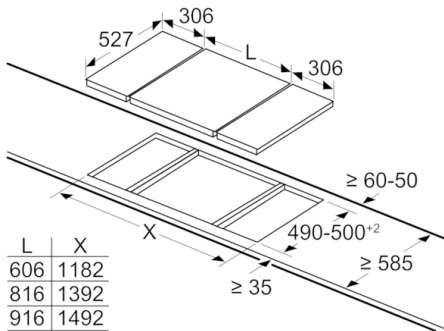
- Boost function for all zones
- Connection cable 110 cm

**Measurements**

- Appliance dimensions: (W/D) 306 mm x 527 mm
- Installation measurements: 270 mmx490 mm
- Required niche size for installation (HxWxD mm) : 51 x 270 x 490 - 500

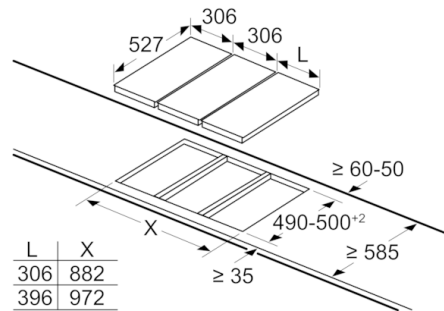
## Serie | 6, Flex induction cooktop, 30 cm, Black PXX375FB1E

measurements in mm



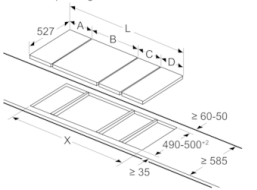
When installing two Domino units right next to a hob, two assembly kits (HEZ394301) are required.

measurements in mm



When installing two or more Domino units side-by-side, one or more assembly kits are required (2 units = 1 assembly kit, 3 units = 2 assembly kits, etc.).

measurements in mm  
Picture for the table Domino combination possibilities with corresponding devices and cutout dimensions



If two or more elements are installed right next to one another, one or several installation kits are required (2 elements 1 installation kit, 3 elements 2 installation kits, etc.).

Cutout dimension (X) depending on the combination see table:

measurements in mm

Domino combination options with corresponding appliance and cut-out dimensions

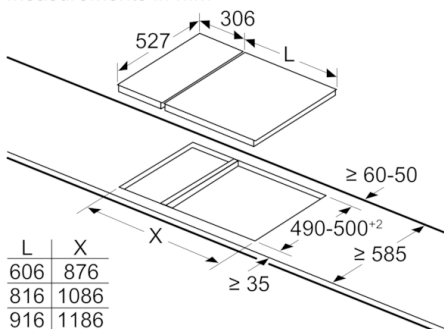
Width category:  
Appliance width:

	A	B	C	D	L	X		
2x30	306	306	-	-			612	576
1x30, 1x40	306	396	-	-			702	666
1x30, 1x60	306	606	-	-			912	876
1x30, 1x70*	306	710	-	-			1016	980
1x30, 1x80	306	816	-	-			1122	1086
1x30, 1x90	306	916	-	-			1222	1186
2x40	396	396	-	-			792	756
1x40, 1x60	396	606	-	-			1002	966
1x40, 1x70*	396	710	-	-			1106	1070
1x40, 1x80	396	816	-	-			1212	1176
1x40, 1x90	396	916	-	-			1312	1276
3x30	306	306	306	-			918	882
2x30, 1x40	306	306	396	-			1008	972
2x30, 1x60	306	306	606	-			1218	1182
2x30, 1x70*	306	306	710	-			1322	1286
2x30, 1x80	306	306	816	-			1428	1392
2x30, 1x90	306	306	916	-			1528	1492
1x30, 2x40	306	396	396	-			1098	1062
1x30, 1x40, 1x60	306	396	606	-			1308	1272
1x30, 1x40, 1x70*	306	396	710	-			1412	1376
1x30, 1x40, 1x80	306	396	816	-			1518	1482
1x30, 1x40, 1x90	306	396	916	-			1618	1582
2x40, 1x60	396	396	606	-			1398	1362
4x30	306	306	306	306			1224	1188

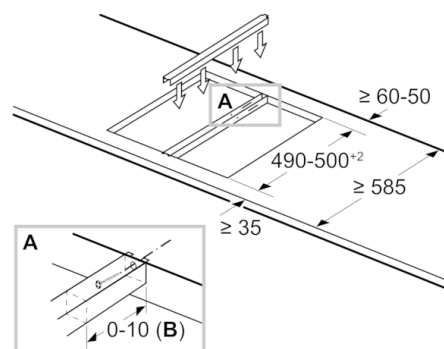
measurements in mm

Assembly kit (HEZ394301) for Domino

measurements in mm

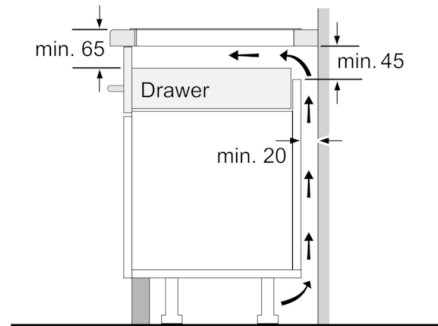
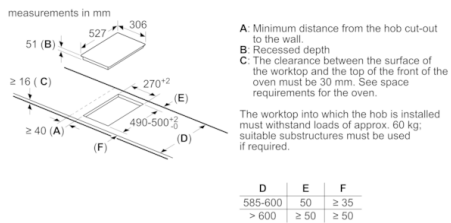


When installing a Domino unit right next to a hob, an assembly kit (HEZ394301) is required.

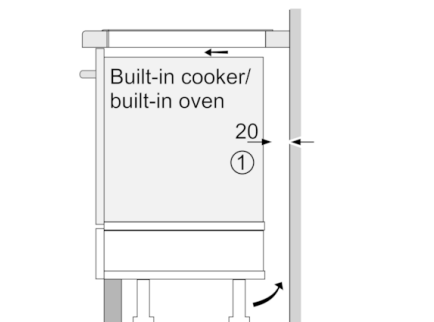


B: Dependent on the cut-out depth

## Serie | 6, Flex induction cooktop, 30 cm, Black PXX375FB1E

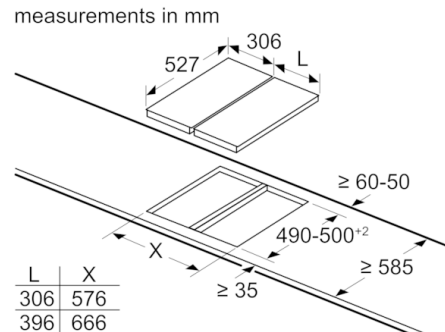


Measurements in mm

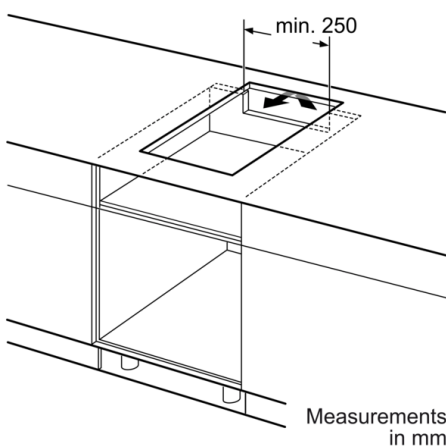


① Ventilation gap must be present.

Measurements in mm



When installing two or more Domino units side-by-side, one or more assembly kits are required (2 units = 1 assembly kit, 3 units = 2 assembly kits, etc.).



Measurements in mm