

**Serie | 4, built-in oven, 90 x 48 cm,
Stainless steel
VBC514CR0**



Included accessories

1 x combination grid
1 x universal pan

**The built-in oven with hotair, 90 cm width:
achieve perfect baking and roasting results
for big roasts or dishes of large quantities**

- **Hotair:** perfect results on two levels thanks to optimal distribution of heat.
- **LED display control, red:** easy-to-use thanks to the time functions.
- **Cleaning Assistance:** less cleaning effort thanks to the new cleaning option, which can be especially used for cleaning of light soiling.

Technical Data

Color / Material Front :	Stainless steel
Built-in / Free-standing :	Built-in
Integrated Cleaning system :	Hydrolytic
Required niche size for installation (HxWxD) :	477-480 x 860-864 x 560
Dimensions :	475 x 896 x 554
Dimensions of the packed product (HxWxD) (mm) :	590 x 680 x 960
Control Panel Material :	brushed stainless steel
Door Material :	Glass
Net weight (kg) :	46.702
Usable volume of cavity (l) :	85
Cooking method :	Bottom heat, Circulating air, Conventional heat, Conventional heat gentle, Full width grill, Hot air grilling, Rotisserie
First cavity material :	Other
Number of interior lights :	2
Approval certificates :	G-Mark, Morocco
Length electrical supply cord (cm) :	115
Interior Lights - cavity 1 :	2
Pull-out system :	Accessory
Clock function :	Alarm, Off, On, timer
Included accessories :	1 x combination grid, 1 x universal pan
Broil Element Wattages cavity 1 (W) :	2900
Convection Element Wattages cavity 1 (W) :	2860
Energy efficiency rating :	B
Energy consumption per cycle conventional (2010/30/EC) :	1.04
Energy consumption per cycle forced air convection (2010/30/EC) :	1.09
Energy efficiency index (2010/30/EC) :	114.3
Connection Rating (W) :	3100
Current (A) :	16
Voltage (V) :	220-240
Frequency (Hz) :	50; 60
Plug type :	no plug
Color / Material Front :	Stainless steel
Energy input :	Electric
Approval certificates :	G-Mark, Morocco
Required cutout/niche size for installation (in) :	x x
Dimensions of the packed product (in) :	23.22 x 37.79 x 26.77
Net weight (lbs) :	103.000
Gross weight (lbs) :	121.000
Length electrical supply cord (cm) :	115
Net weight (kg) :	46.702
Gross weight (kg) :	55.0



4 242005 034673

Serie | 4, built-in oven, 90 x 48 cm, Stainless steel VBC514CR0

**The built-in oven with hotair, 90 cm width:
achieve perfect baking and roasting results
for big roasts or dishes of large quantities**

Type of oven / heating system:

- 90 cm built-in oven with 8 heating methods: Hot Air Standard, Top/bottom heat, Circulating Air, hot air grilling, Full width grill, Bottom heat, Conventional heat gentle
- Cavity volume: 85 l

Design:

- Rotary Control, Touch control
- Extra large capacity oven with grey enamel

Cleaning:

- Full glass inner door

Comfort:

- Electronic clock
- Drop down door
- Rapid heating-up
- Elongated halogen light
- Integral cooling fan
- Bar handle

Accessory:

- 1 x combination grid, 1 x universal pan

Environment and Safety:

- Energy efficiency rating (acc. EU Nr. 65/2014): Energy consumption per cycle in conventional mode: 1.04 kWh
Energy consumption per cycle in fan-forced convection mode: 1.09 kWh
Number of cavities: 1 Heat source: electrical
Cavity volume: 85 l
- Child lock Safety switch door contact switch

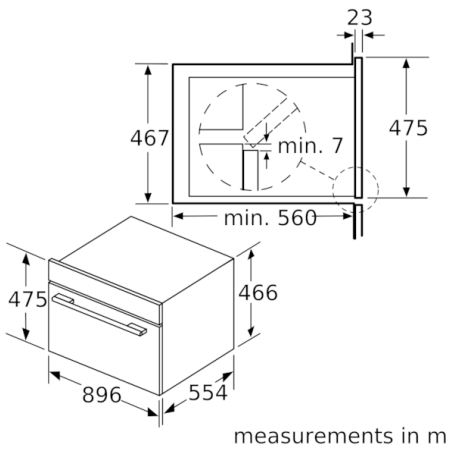
Technical Info:

- Length of mains cable: 115 cm
- Nominal voltage: 220 - 240 V
- Total connected load electric: 3.1 KW

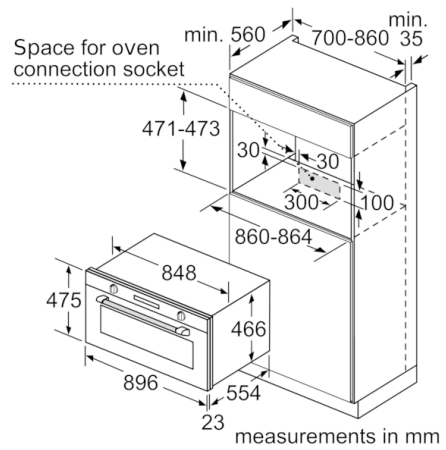
Dimensions:

- Appliance dimension (hxwxd): 475 mm x 896 mm x 554 mm
- Niche dimension (hxwxd): 860 mm - 864 mm x 477 mm - 480 mm x 560 mm
- "Please reference the built-in dimensions provided in the installation drawing"

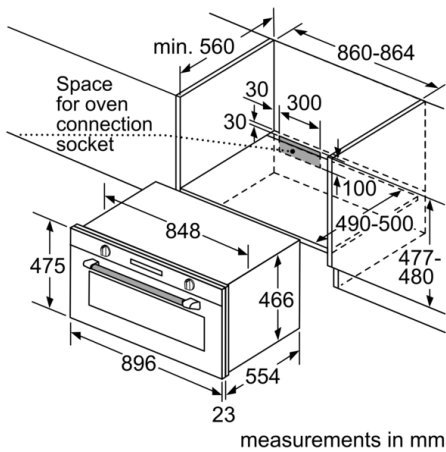
Serie | 4, built-in oven, 90 x 48 cm, Stainless steel
VBC514CR0



measurements in mm



measurements in mm



measurements in mm