

## Serie | 6, built-in fridge, 177.5 x 56 cm KIR81AF30M



### Included accessories

2 x egg tray

- **MultiBox:** transparent drawer with wave bottom, ideal for the storage of fruits and vegetables
- Containers on telescopic rails slide smoothly and safely out of the appliance.
- **LED light:** illuminates the refrigerator evenly without glare, lasts for the life of the appliance.
- **EasyAccess Shelf:** retractable glass shelf for convenient loading and unloading and a perfect view.
- **VarioShelf:** space for bottles and bowls with sectioned glass shelves that can be separated and slid underneath.

### Technical Data

Built-in / Free-standing :	Built-in
Number of compressors :	1
Number of independent cooling systems :	1
Width of the appliance :	558
Height (mm) :	1772
Depth of the product :	545
Net weight (kg) :	68.230
Required niche size for installation (HxWxD) :	1775.0 x 560 x 550
Door panel options :	Not possible
Door hinge :	Right reversible
Number of Adjustable Shelves in fridge compartment :	6
Shelves for Bottles :	Yes
Frost free system :	No
Interior ventilator :	Yes
Reversible Door Hinge :	Yes
Length electrical supply cord (cm) :	230
Noise level (dB) :	37
Multi-Flow Air Tower :	No
Economy setting :	No
Cold technology :	1 compressor/1 cold circuit
Fast cooling switch :	Yes
Temperature Controlled Drawer :	No
Humidity Control Drawer :	No
Number of Door Bins - Refrigerator :	5
Door bin adjustability - Refrigerator :	No
Tilt-out door bins in fridge :	No
Gallon Storage :	Yes
Number of Gallon storage :	2
No. of shelves in fridge :	7
Motorized Shelf :	No
Material of the shelves :	Glas, plastic
Door opened indicator freezer :	Yes
Connection Rating (W) :	90
Current (A) :	10
Voltage (V) :	220-240
Frequency (Hz) :	50
Approval certificates :	CE, G-Mark, VDE
Main colour of product :	N/A
Door panel options :	Not possible
Installation typology :	Full-integrated
Noise level (dB) :	37
Energy Star Qualified :	No
Plug type :	GB plug
Required cutout/niche size for installation (in) :	x x
Dimensions of the packed product (in) :	72.44 x 24.40 x 25.19
Net weight (lbs) :	150.000
Gross weight (lbs) :	162.000



4 242002 980409

## Serie | 6, built-in fridge, 177.5 x 56 cm KIR81AF30M

### Dimension and installation

### Main Features

- Easy Installation

#### Performance and consumption

- Energy Efficiency Class: No
- Total capacity: 321 litres
- Airborne acoustical noise emissions: 37 dB dB(A) re 1 pW
- Climate Class SN-T

#### Design

##### Comfort and Safety

- 7 segment electronic control
- Constant temperature by intelligent sensor technology
- Automatic defrost in fridge section
- Supercool function with automatic deactivation
- Acoustic warning system

##### Fridge Section

- Capacity refrigeration zone: 321 litres
- 7 safety glass shelves (6 height adjustable), of which Base plates, 2 glass plates extendible
- 6 door bins, there of 1x dairy compartment

##### Freshness System

##### Dimensions

- Dimensions: H 177.2 cm x L 55.8 cm x D 54.5 cm
- Gross capacity, total: 321 l
- Gross capacity cooling 321 l

##### Technical Information

- Door right hinged, reversible Door
- Connection load: 90 W
- Rated Voltage 220 - 240 V

##### Accessories

- bottle holder

##### Highlights

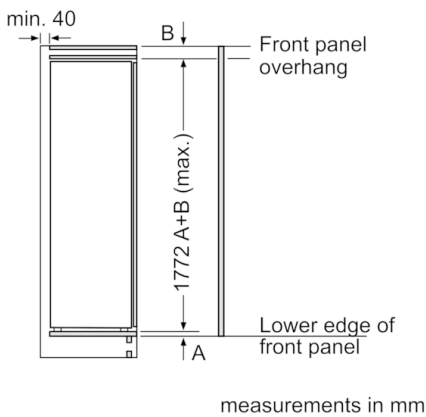
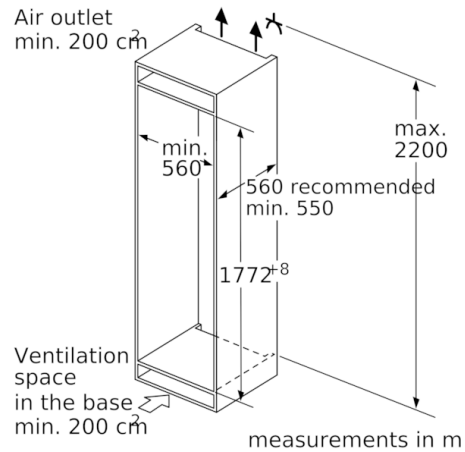
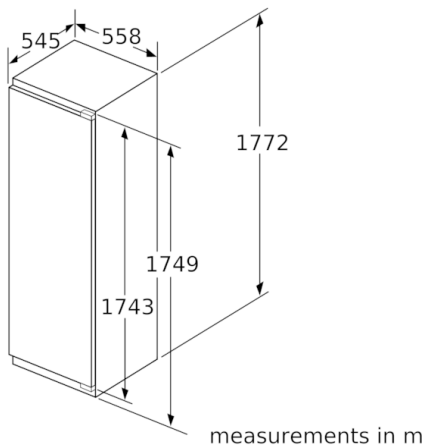
- 1cont. hydrofresh w tel. rails - keeps fruit and vegetables up to 2 x longer fresh!
- Vario shelf - individually variable for ideal use of space
- Easy access shelf - easy access and everything in sight
- touch control - enduring elegance - perfectly under control!

##### Country Specific Options

- Based on the results of the standard 25-hour test. Actual consumption depends on usage/position of the appliance.

##### Environment and Safety

**Serie | 6, built-in fridge, 177.5 x 56 cm**  
**KIR81AF30M**



measurements in mm  
 Recommended gap dimensions for flat hinges

	F	R	X
	16-19	0-3	2.5
	20	0-1	3
	21	0-1	3
		2-3	2.5
	22	0	4
		1	3.5
		2-3	3

The gap dimensions recommended in the table must be adhered to in order to ensure that appliance doors do not collide with anything when they are opened, and to avoid causing damage to kitchen units.