

**Serie | 8, built-in oven, 60 x 60 cm,
Stainless steel
HBG655BS1M**



Included accessories

2 x combination grid
1 x universal pan

The built-in oven: you get perfect baking and roasting results.

- **4D Hot Air:** even heat distribution for perfect results – on any level.
- **AutoPilot 10:** every dish is a perfect success thanks to 10 pre-set automatic programmes.
- **TFT display control:** easy-to-use thanks to the control ring with full text and symbols.
- **EcoClean Direct:** almost no cleaning is necessary thanks to a special coating of the rear- and side wall and the roof that automatically absorbs grime and regeneration program.
- **Cleaning Assistance:** less cleaning effort thanks to the new cleaning option, which can be especially used for cleaning of light soiling.

Technical Data

Color / Material Front :	Stainless steel
Built-in / Free-standing :	Built-in
Integrated Cleaning system :	
Catalytic all sides, Catalytic all sides, Hydrolytic	
Required niche size for installation (HxWxD) :	585-595 x 560-568 x 550
Dimensions :	595 x 594 x 548
Dimensions of the packed product (HxWxD) (mm) :	670 x 680 x 670
Control Panel Material :	Stainless steel
Door Material :	Glass
Net weight (kg) :	35.466
Usable volume of cavity (l) :	71
Cooking method :	Bottom heat, Conventional heat, Defrost, Full width grill, Half width grill, Hot Air-Eco, Hot air grilling, low temperature cooking, Pizza setting, pre-heating, warming
Number of interior lights :	1
Approval certificates :	CE, VDE
Length electrical supply cord (cm) :	120
Interior Lights - cavity 1 :	1
Pull-out system :	Accessory
Clock function :	Alarm, Off, On
Included accessories :	2 x combination grid, 1 x universal pan
Broil Element Wattages cavity 1 (W) :	2800
Convection Element Wattages cavity 1 (W) :	2200
Energy efficiency rating :	A+
Energy consumption per cycle conventional (2010/30/EC) :	0.87
Energy consumption per cycle forced air convection (2010/30/EC) :	0.69
Energy efficiency index (2010/30/EC) :	81.2
Connection Rating (W) :	3600
Current (A) :	16
Voltage (V) :	220-240
Frequency (Hz) :	50; 60
Plug type :	no plug
Color / Material Front :	Stainless steel
Energy input :	Electric
Approval certificates :	CE, VDE
Required cutout/niche size for installation (in) :	x x
Dimensions of the packed product (in) :	26.37 x 26.37 x 26.77
Net weight (lbs) :	78.000
Gross weight (lbs) :	83.000
Length electrical supply cord (cm) :	120
Net weight (kg) :	35.466
Gross weight (kg) :	37.8



Serie | 8, built-in oven, 60 x 60 cm, Stainless steel HBG655BS1M

The built-in oven: you get perfect baking and roasting results.

Type of oven / heating system:

- Oven with 13 heating methods: 4D hot air, Hot Air-Eco, Top/bottom heat, Conventional heat ECO, hot air grilling, Full width grill, Half width grill, Pizza setting, Bottom heat, low temperature cooking, Defrost setting, Plate warming setting, Hold warm
- Temperature range 30 °C - 300 °C
- Cavity volume: 71 l

Design:

- Rotary swivel
- Cavity inner surface: Enamel anthracite

Cleaning:

- Ecolyse features: ceiling, back panel, side liners
- Full glass inner door

Comfort:

- autom. temperature proposal actual temperature display heating-up control automatic programming Sabbath function
- Drop down door, soft closing, soft opening
- Supporting systems: Programs
- Number of automatic programmes: 10 PC
- Electronic clock
- Rapid heating-up
- Halogen interior lighting, Switch for oven illumination
- Integral cooling fan
- Stainless-steel fan
- Info button
- Bar handle

Hook-in racks / rails

- Cavity with shelf support rails, Telescopic slide-out Accessory

Accessory:

- 2 x combination grid, 1 x universal pan

Environment and Safety:

- Energy efficiency rating (acc. EU Nr. 65/2014): Energy consumption per cycle in conventional mode: 0.87 kWh
Energy consumption per cycle in fan-forced convection mode:

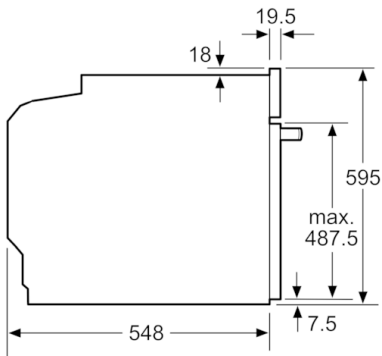
0.69 kWh Number of cavities: 1 Heat source: electrical Cavity volume: 71 l

- Maximum window temperature 40° C
- Child lock Safety switch Residual heat indicator start button door contact switch

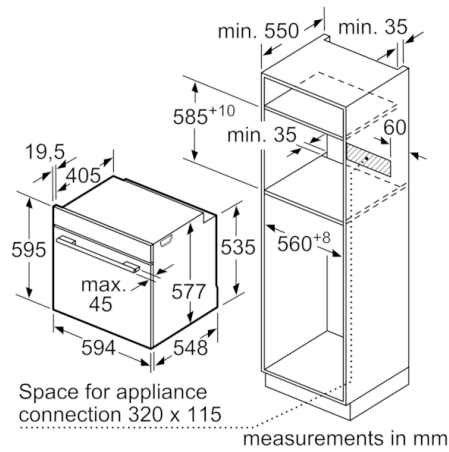
Technical Info:

- Length of mains cable: 120 cm
- Total connected load electric: 3.6 KW
- Appliance dimension (hxwxh): 595 mm x 594 mm x 548 mm
- Niche dimension (hxwxh): 560 mm - 568 mm x 585 mm - 595 mm x 550 mm
- "Please reference the built-in dimensions provided in the installation drawing"

Serie | 8, built-in oven, 60 x 60 cm, Stainless steel
HBG655BS1M



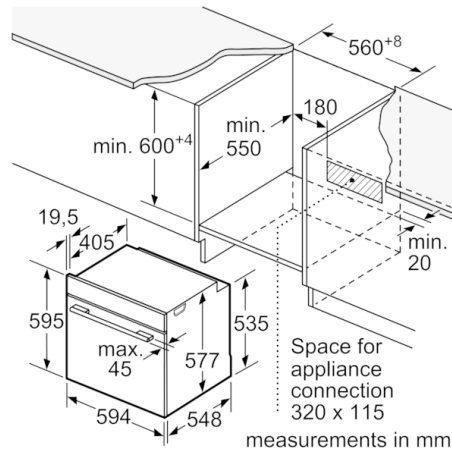
measurements in mm



measurements in mm

If the appliance will be installed underneath a hob, the following worktop thicknesses (including substructure if necessary) must be taken into account.

Hob type	min. worktop thickness	
	fitted	flush
Induction hob	37 mm	38 mm
Full surface Induction hob	47 mm	48 mm
Gas hob	30 mm	38 mm
Electric hob	27 mm	30 mm



measurements in mm