

**Serie | 8, Built-In Microwave, Width 60 cm  
BEL634GS1M**



**Included accessories**

- 1 x grid
- 1 x Glass tray

**The built-in microwave for the 38 cm niche:  
use it for thawing, heating and perfect  
preparation of foods.**

- **AutoPilot 10:** every dish is a perfect success thanks to 10 pre-set automatic programmes.
- **TFT display control:** easy-to-use thanks to the control ring with full text and symbols.
- SpeedChef™ Cooking Cycles Offer Faster Cooking Times for Your Convenience
- A Large Cooking Interior Gives You Flexibility to Cook Various Dishes

**Technical Data**

Type of micro-wave oven :	MW+Grill function
Type of control :	Electronic
Color / Material Front :	Stainless steel
Dimensions :	382 x 594 x 318
Cavity dimensions (mm) :	220 x 350 x 270
Length electrical supply cord (cm) :	150
Net weight (kg) :	18.657
Gross weight (kg) :	20.9
Maximum micro-wave power (W) :	900
Number of Power Levels :	5
Turntable :	No
Cavity material :	Stainless steel
Door opening :	Button
Clock :	Yes
Included accessories :	1 x grid, 1 x Glass tray
Main colour of product :	Stainless steel
Height of the product (mm) :	382
Width of the appliance :	594
Depth of the product :	318
Maximum micro-wave power (W) :	900
Connection Rating (W) :	1990
Current (A) :	10
Voltage (V) :	220-240
Frequency (Hz) :	60; 50
Plug type :	GB plug
Color / Material Front :	Stainless steel
Approval certificates :	CE, G-Mark, VDE
Appliance Dimensions (h x w x d) (in) :	x x
Dimensions of the packed product (in) :	18.89 x 17.71 x 26.37
Net weight (lbs) :	41.000
Gross weight (lbs) :	46.000



4 242002 976785

## Serie | 8, Built-In Microwave, Width 60 cm BEL634GS1M

**The built-in microwave for the 38 cm niche:  
use it for thawing, heating and perfect  
preparation of foods.**

---

### **Design:**

#### **Comfort:**

- side opening door, hinge left
- LED light

#### **Accessory:**

- 1 x Glass tray, 1 x grid

#### **Environment and Safety:**

- start button

#### **Technical Info:**

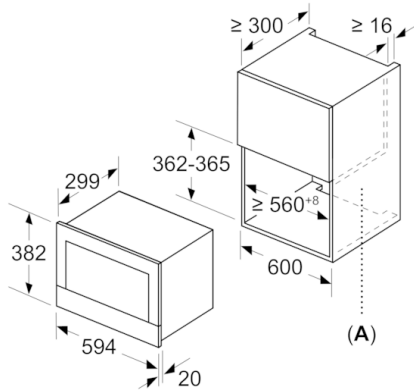
- Length of mains cable: 150 cm
- Total connected load electric: 1.99 KW
- Appliance dimension (hxwx): 382 mm x 594 mm x 318 mm
- Niche dimension (hxwx): 560 mm - 568 mm x 362 mm - 382 mm x 300 mm
- "Please reference the built-in dimensions provided in the installation drawing"

#### **Microwave and Heating System**

- Max. Power: 900 W; 5 Microwave power settings: 90 W, 180 W, 360 W, 600 W, 900 W
- Intelligent inverter technology: maximum output power will be regulated to 600 W when used in longer operation
- Grill and microwave power levels 90 W, 180 W, 360 W combinable
- Microwave and grill for separate use and in Kombination nutzbar
- Cavity volume: 21 l
- Stainless steel cavity with Glass bottom
- electronic clock
- Rotary swivel, Touch control
- User-friendly electronics: extremely easy and comfortable operation
- automatic programming, 10
- Open Button, electric
- Touch key operation
- Integral cooling fan
- Nominal voltage: 220 - 240 V
- Can be built in a 60 cm wall cupboard (at least 30cm deep)

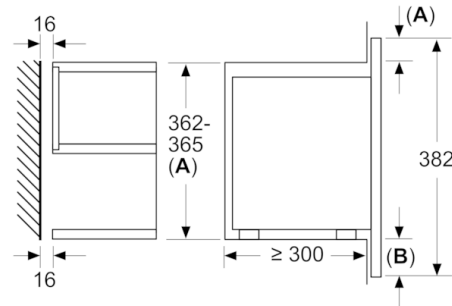
**Serie | 8, Built-In Microwave, Width 60 cm  
BEL634GS1M**

measurements in mm

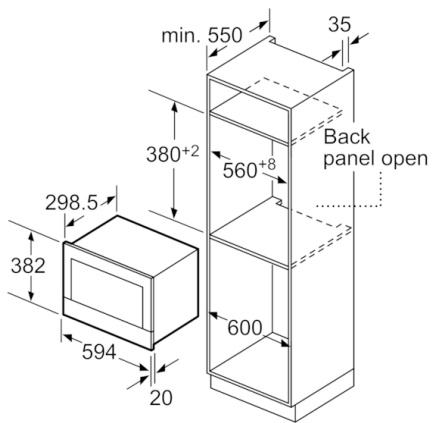


A: Back panel open

measurements in mm



A: Overhang at top:  
Recess 362: 6 mm  
Recess 365: 3 mm  
B: Overhang at bottom: 14 mm



measurements in mm