

**Serie | 8, Width 90 cm
HCB738357M**



The electric Range Cooker with up to 8 heating modes and glass-ceramic hob: makes cooking and cleaning especially easy for you.

- Full Glass Door supports quick and easy cleaning by removable inner glass of the door.

Technical Data

| | |
|---|-------------------------------------|
| Built-in / Free-standing : | Free-standing |
| Color / Material Front : | Stainless steel |
| Dimensions : | 846 x 898 x 600 |
| Length electrical supply cord (cm) : | 150 |
| Net weight (kg) : | 70.220 |
| Gross weight (kg) : | 79.3 |
| Cooking method : | Circulating air, Conventional heat, |
| Full width grill, Hot air & bottom heat, Hot air grilling, Rotisserie | |
| Integrated Cleaning system : | Catalytic partial |
| Storage compartment - cavity 1 : | Yes |
| Broil Element Wattages cavity 1 (W) : | 2900 |
| Convection Element Wattages cavity 1 (W) : | 3100 |
| Energy efficiency rating : | B |
| Energy consumption per cycle conventional (2010/30/EC) : | 1.16 |
| Energy consumption per cycle forced air convection (2010/30/EC) : | 1.35 |
| Current (A) : | 63 |
| Voltage (V) : | 220-240 |
| Frequency (Hz) : | 60; 50 |
| Plug type : | fixed connection, no plug |
| Connecting cable type : | 1-phase, 3 wire |
| Color / Material Front : | Stainless steel |
| Energy input : | Electric |
| Approval certificates : | G-Mark |
| Appliance Dimensions (h x w x d) (in) : | x x |
| Gross weight (lbs) : | 175.000 |
| Length electrical supply cord (cm) : | 150 |
| Dimensions : | 846 x 898 x 600 |
| Dimensions of the packed product (HxWxD) (mm) : | 855 x 680 x 960 |



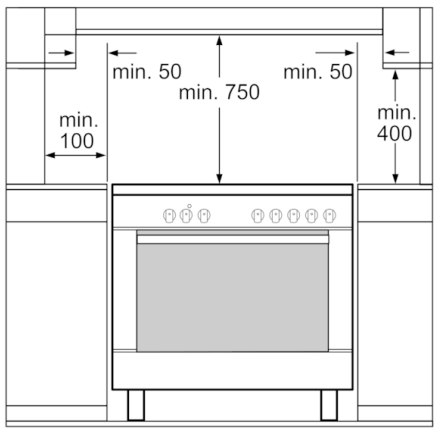
4 242002 932743

Serie | 8, Width 90 cm HCB738357M

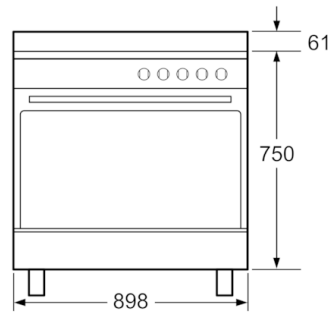
The electric Range Cooker with up to 8 heating modes and glass-ceramic hob: makes cooking and cleaning especially easy for you.

- Glass ceramic hob
- 5 HighSpeed cooking zones including 1 dual circuit zone and 1 extendable oval zone
- Front left: Standard zone 1.2 KW
- Rear left: Standard zone 1.8 KW
- Center: Oval zone 0.75 KW, 1.4 KW, 2.2 KW
- Rear right: Dual-circuit cooking zone 0.75 KW, 2.2 KW
- Front right: Standard zone 1.2 KW
- 5 stage residual heat indicator
- Splash guard
- Extra large capacity oven (112 l) with grey enamel
- Multifunction oven
- 8 cooking functions: Full width grill, Hot Air Standard, Top/bottom heat, hot air grilling, Circulating Air, Rotisserie, Conventional heat ECO, Bottom heat & circulating air
- Rotary spit
- Catalytic back and side liners
- Shelf support rails
- telesc. extension rails 1-fold
- Oven interior light
- Electronic clock
- Adjustable feet

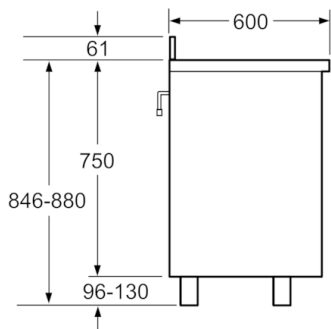
Serie | 8, Width 90 cm
HCB738357M



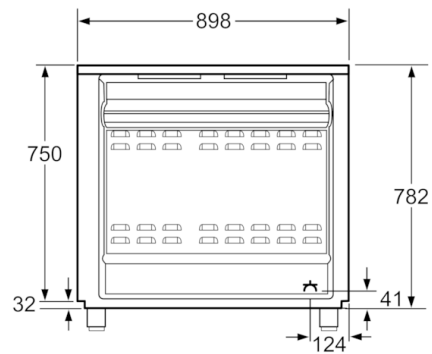
measurements in mm



measurements in mm



measurements in mm



measurements in mm